

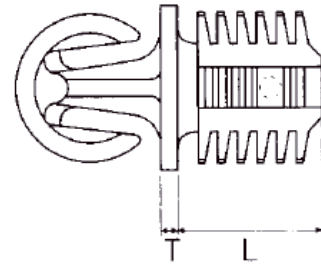
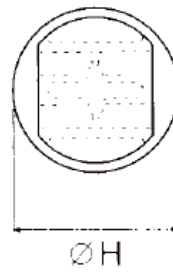


**CAP. 11**  
Strikers and Latches  
Chiusure

# STRIKES AND LATCHES



- ◆ MATERIAL:PA 66
- ◆ COLOR:BLACK
- ◆ UNIT:mm

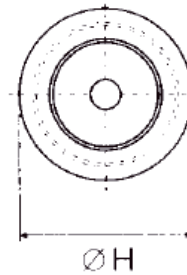


PART NO	SIEZE			PANEL		PACKAGE
	H	T	L	HOLE	THICKNESS	
MOS013981911	9,6	1,0	6,5	8,0	3,0-6,0	1000
MOS005021911	12,7	1,0	11,0	11,0	3,0-9,0	

# STRIKES AND LATCHES



- ◆ MATERIAL:PA 66
- ◆ COLOR:BLACK
- ◆ UNIT:mm

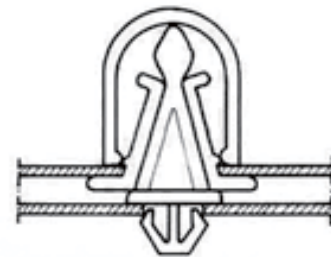
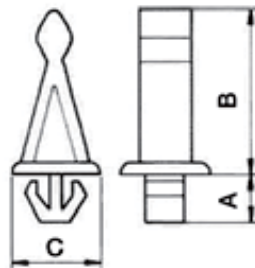


PART NO	SIEZE			PANEL		PACKAGE
	H	T	L	HOLE	THICKNESS	
MOS013991911	16,0	1,4	9,5	10,3	10,0	1000
MOS005031911	18,0	1,0	11,0	14,3	11,0	

# STRIKES AND LATCHES



- ◆ MATERIAL:PA 66
- ◆ COLOR:BLACK
- ◆ UNIT:mm

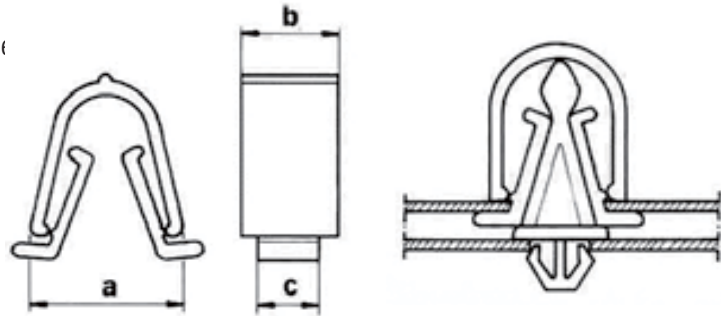


PART NO	SIEZE			PANEL		PACKAGE
	A	B	C	HOLE	THICKNESS	
MOS005549111	6,5	18,0	11,0	6,0 x 6,0	0,8 - 1,2	1000

## STRIKES AND LATCHES



- ◆ MATERIAL:PA 6t
- ◆ COLOR:BLACK
- ◆ UNIT:mm

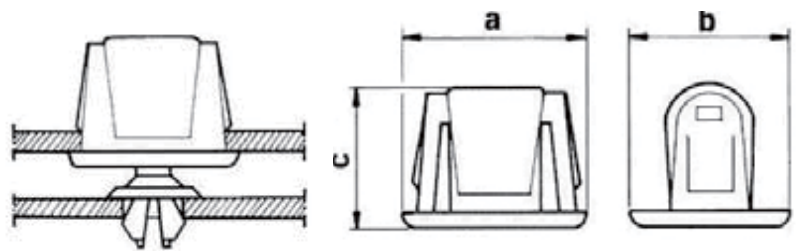


PART NO	SIEZE			PANEL		PACKAGE
	A	B	C	HOLE	THICKNESS	
MOS005539111	19,0	12,0	7,5	8,0 x 10,5	0,8 - 1,0	1000

## LATCHES WITH METAL CLIP



- ◆ MATERIAL:PA 66
- ◆ COLOR:BLACK
- ◆ UNIT:mm

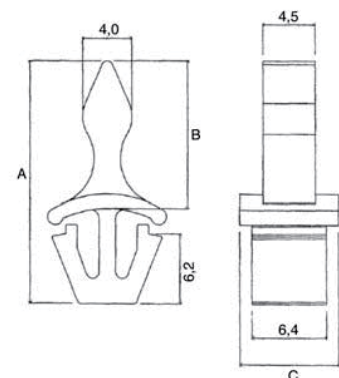


PART NO	SIEZE			PANEL		PACKAGE
	A	B	C	HOLE	THICKNESS	
MOS018080111	20,0	18,0	16,0	16,5 x 11,5	1,0 - 1,5	1000
MOS023390111	25,0	18,0	16,5	18,0 x 11,5	3,0 - 3,5	
MOSC31979411	23,0	18,0	16,5	16,5 x 11,5	0,8 - 1,0	
MOSA31979611	23,0	18,0	16,5	16,5 x 11,5	0,8 - 1,0	

## LATCHES WITH METAL CLIP

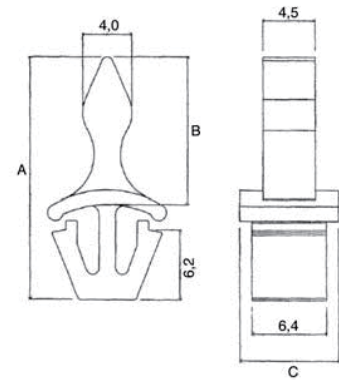


- ◆ MATERIAL:PA 66
- ◆ COLOR:BLACK
- ◆ UNIT:mm



PART NO	SIEZE			PANEL		PACKAGE
	A	B	C	HOLE	THICKNESS	
MOS055892111	20,6	13,0	8,4	7 x 7	0,5 - 1,5	1000

# 1/4 TURN PANEL FASTENER



▼ COLOR:BLACK  
◆ UNIT:mm

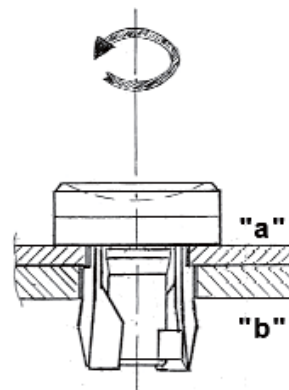
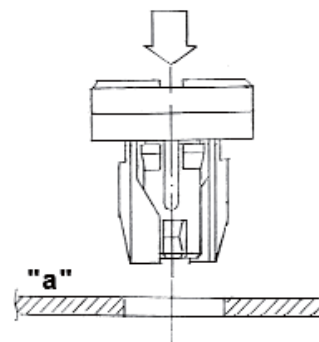
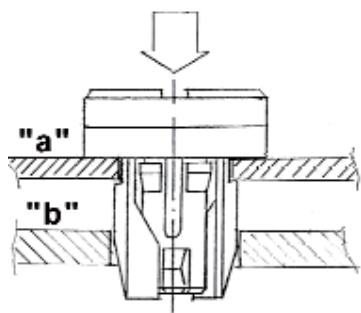
PART NO	SIEZE
MOS000049111	<p>MAX 5.0 MIN 3.0</p> <p>MAX 1.6</p> <p>9.1 + 9.3</p> <p>9.5 + 9.9</p> <p>PER IL FISSAGGIO RUOTARE DI 90° IN SENSO ANTIORARIO</p> <p>1.0, 1.8, 1.5, 2, 11, 6</p>

### How to assembly

- ◆ Snap the anchor into square hole on panel
- ◆ Join a on b and insert the anchor into the square hole on panel b
- ◆ Turn the head of the stud 90°

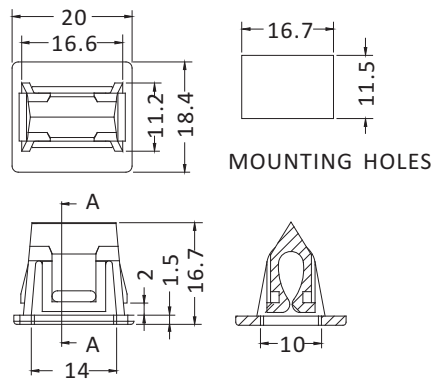
### How to disassembly

- ◆ Turn the head of the stud 90° clockwise



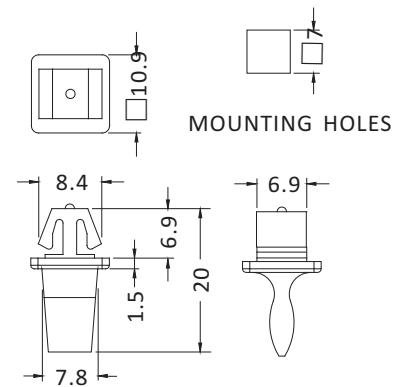
## DOOR LOCK TIP

- ◆ MATERIAL: POM (UL)
- ◆ COLOR: BLACK
- ◆ UNIT: mm



PART NO	PACKAGE
MOSDTTL1A	500

- ◆ MATERIAL: NYLON 66 (UL)
- ◆ FLAME CLASS :94V-2
- ◆ COLOR: BLACK
- ◆ UNIT: mm



PART NO	PACKAGE
MOSDTTL1B	500

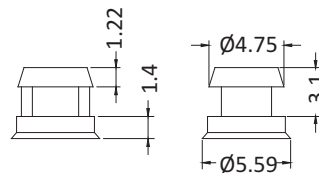
## SNAP LATCH

- ◆ MATERIAL: NYLON 66 (UL)
- ◆ FLAME CLASS :94V-2
- ◆ COLOR: WHITE/NATURAL
- ◆ UNIT: mm



PART NO	PACKAGE
MOSLO6052A	1000

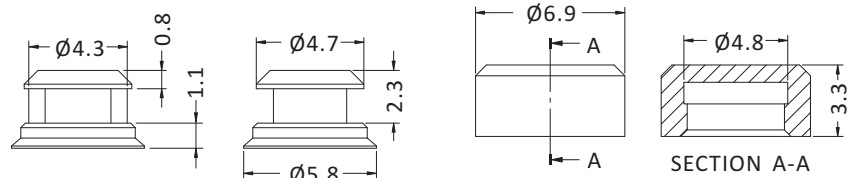
PART NO	PACKAGE
MOSLO6052B	1000



PART NO	PACKAGE
MOSLO6053A	1000

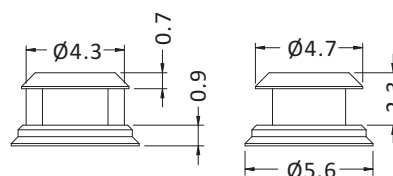
## SNAP LATCH

- ◆ MATERIAL: NYLON 66 (UL)
- ◆ FLAME CLASS: 94V-2
- ◆ COLOR: NATURAL/WHITE
- ◆ UNIT: mm



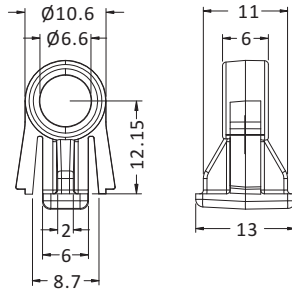
PART NO	PACKAGE
MOSLO6055A	1000

PART NO	PACKAGE
MOSLO6055B	1000



PART NO	PACKAGE
MOSLO6056A	1000

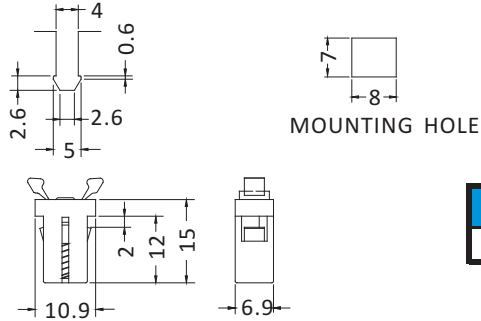
- ◆ MATERIAL:PS (UL)
- ◆ COLOR:BLACK
- ◆ UNIT:mm



PART NO	PACKAGE
MOSEMUS	1000

## DOOR LOCK

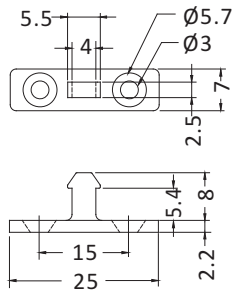
- ◆ CATCHER MAT'L:NYLON 66 (UL) 94V-2
- ◆ CASE MAT'L:POM (UL) 94HB
- ◆ COLOR:BLACK/GRAY
- ◆ UNIT:mm



PART NO	PACKAGE
MOSDT1	500

## DOOR LOCK

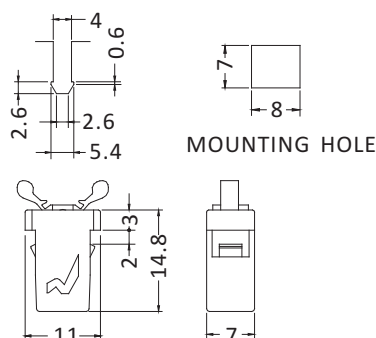
- ◆ MATERIAL:ABS (UL)
- ◆ FLAME CLASS:94HB
- ◆ COLOR:BLACK
- ◆ UNIT:mm



PART NO	PACKAGE
MOSDTA1	500

## DOOR LOCK

- ◆ CATCHER MAT'L:NYLON 66 (UL) 94V-2
- ◆ CASE MAT'L:POM (UL) 94HB
- ◆ COLOR:BLACK
- ◆ UNIT:mm

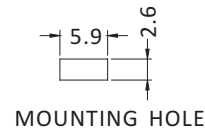
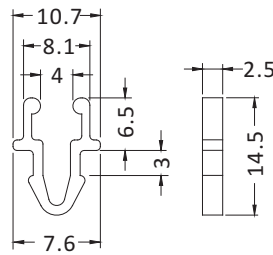


PART NO	PACKAGE
MOSDT4	500



## DOOR LOCK

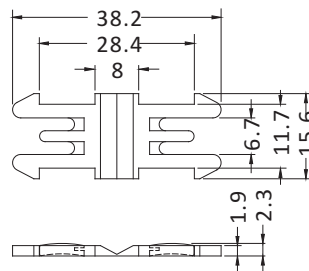
- ◆ MATERIAL: NYLON 66 (UL)
- ◆ FLAME CLASS: 94V-2
- ◆ COLOR: BLACK
- ◆ UNIT: mm



PART NO	PACKAGE
MOSDT10	2000

## DOOR LOCK

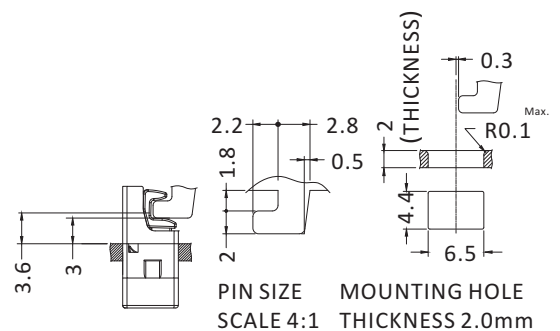
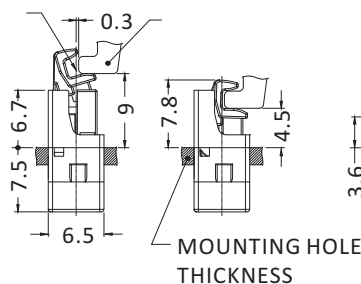
- ◆ MATERIAL: NYLON 66 (UL)
- ◆ FLAME CLASS: 94V-2
- ◆ COLOR: BLACK
- ◆ UNIT: mm



PART NO	PACKAGE
MOSDT11	500

## DOOR LOCK

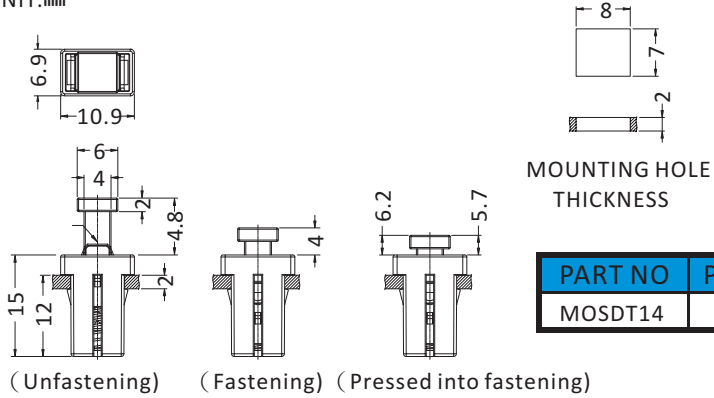
- ◆ CATCHER MAT'L: NYLON 66 (UL) 94V-2
- ◆ CASE MAT'L: POM (UL) 94HB
- ◆ COLOR: BLACK
- ◆ UNIT: mm



PART NO	PACKAGE
MOSDT12	500

# DOOR LOCK

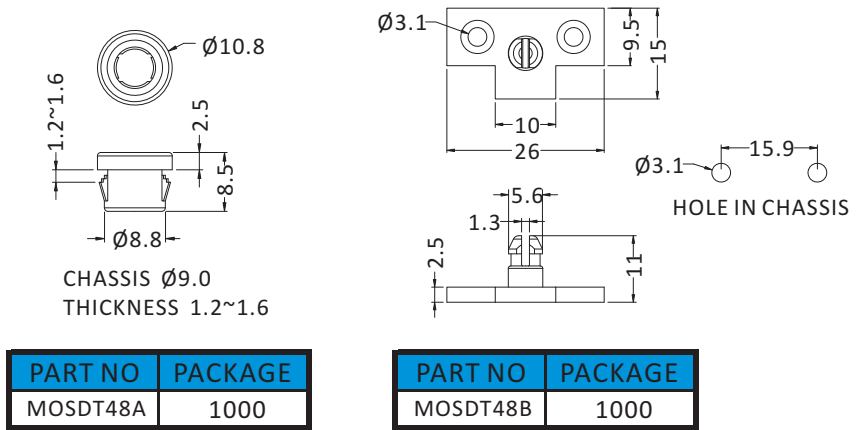
- ◆ CATCHER MAT'L: NYLON 66 (UL)94V-2
- ◆ CASE MAT'L: POM (UL)94HB
- ◆ COLOR: BLACK
- ◆ UNIT: mm



# DOOR LOCK

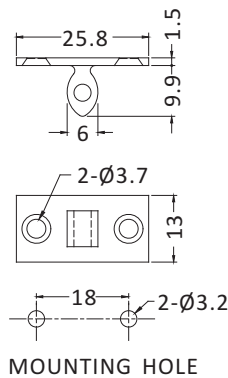
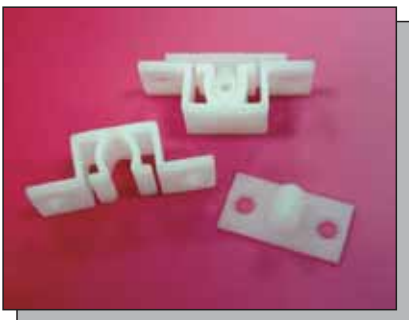


- ◆ MATERIAL: NYLON 66 (UL)
- ◆ FLAME CLASS: 94V-2
- ◆ COLOR: BLACK
- ◆ UNIT: mm



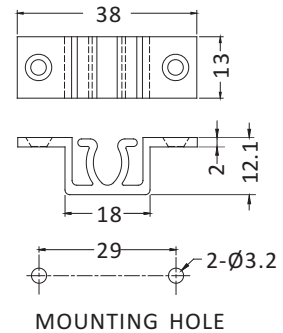
# DOOR LOCK

- ◆ MATERIAL: NYLON 66 (UL)
- ◆ FLAME CLASS: 94V-2
- ◆ COLOR: NATURAL
- ◆ UNIT: mm



PART NO	PACKAGE
MOSDTA42	500

- ◆ MATERIAL: POM (UL)
- ◆ FLAME CLASS: 94HB
- ◆ COLOR: NATURAL
- ◆ UNIT: mm

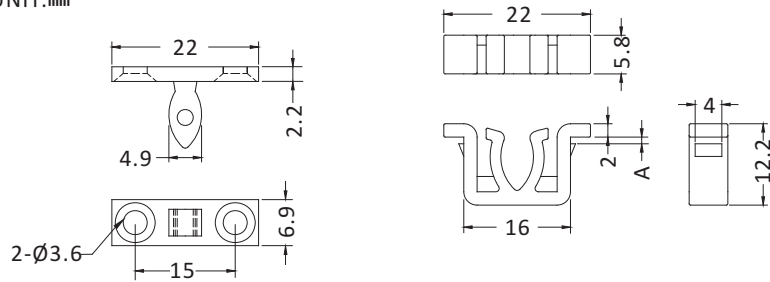


PART NO	PACKAGE
MOSDT42	500



## DOOR LOCK TIP

- ◆ MATERIAL:ABS (UL)
- ◆ FLAME CLASS:94HB
- ◆ COLOR:NATURAL
- ◆ UNIT:mm



PART NO	PACKAGE
MOSDT45A	500

PART NO	A	PACKAGE
MOSDT45B	1.0	500
MOSDT45BL	1.1	

## DOOR LOCK TIP

- ◆ MATERIAL:POM (UL)
- ◆ FLAME CLASS:94HB
- ◆ COLOR:NATURAL
- ◆ UNIT:mm



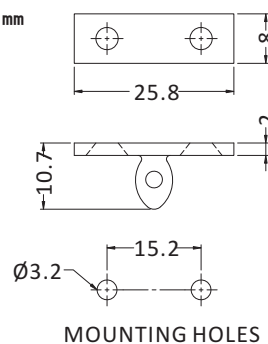
PART NO	PACKAGE
MOSDT46A	1000

PART NO	PACKAGE
MOSDT46B	1000

## DOOR LOCK TIP

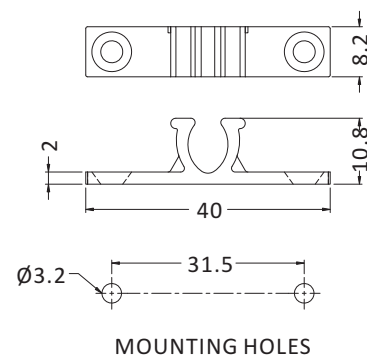


- ◆ MATERIAL:NYLON 66 (UL)
- ◆ FLAME CLASS:94V-2
- ◆ COLOR:NATURAL
- ◆ UNIT:mm



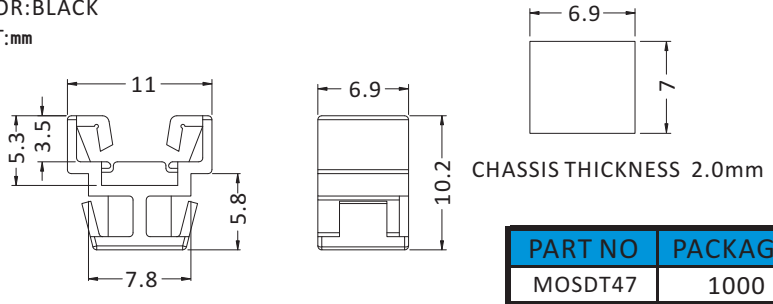
PART NO	PACKAGE
MOSDT43A	1000

- ◆ MATERIAL:POM



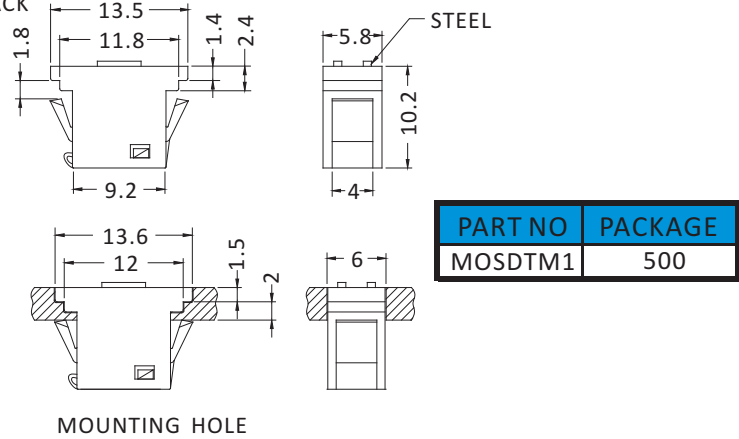
PART NO	PACKAGE
MOSDT43B	1000

- ◆ MATERIAL: NYLON 66 (UL)
- ◆ FLAME CLASS: 94V-2
- ◆ COLOR: BLACK
- ◆ UNIT: mm



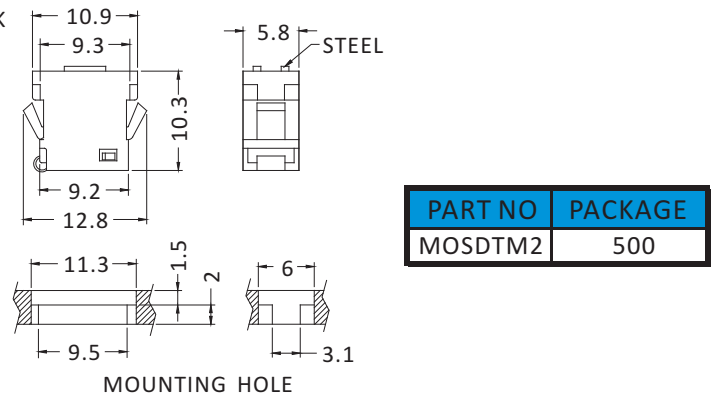
**MAGNET DOOR LOCK**

- ◆ MATERIAL: NYLON 66(UL)94V-2
- ◆ CLIP MATERIAL: SP
- ◆ COLOR: BLACK
- ◆ UNIT: mm



**MAGNET DOOR LOCK**

- ◆ MATERIAL: NYLON 66(UL)94V-2
- ◆ CLIP MATERIAL: SP
- ◆ COLOR: BLACK
- ◆ UNIT: mm



**DOOR LOCK**

- ◆ MATERIAL: NYLON 66 (UL)
- ◆ FLAME CLASS: 94V-2
- ◆ COLOR: BLACK
- ◆ UNIT: mm

