

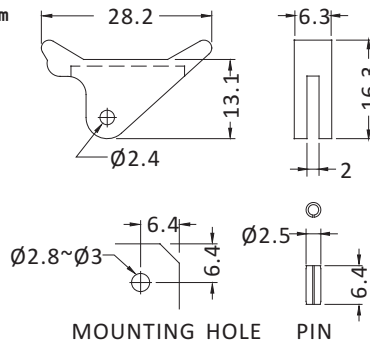


CAP. 9
Card Guide
Guida Schede

PC CARD PULLER



- ◆ MATERIAL: NYLON 66 (UL) / POM (UL)
- ◆ FLAME CLASS: 94V-2/94HB
- ◆ PIN MATERIAL: STEEL
- ◆ COLOR: NATURAL
- ◆ UNIT: mm

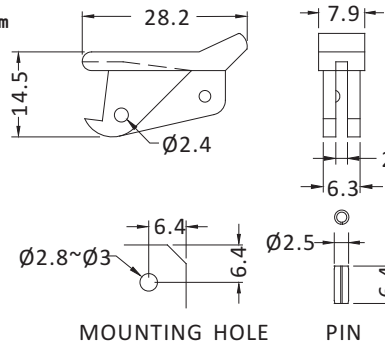


| PART NO | PACKAGE |
|---------|---------|
| MOSCP25 | 1000 |

PC CARD PULLER



- ◆ MATERIAL: NYLON 66 (UL)
- ◆ FLAME CLASS: 94V-2
- ◆ PIN MATERIAL: STEEL
- ◆ COLOR: NATURAL
- ◆ UNIT: mm

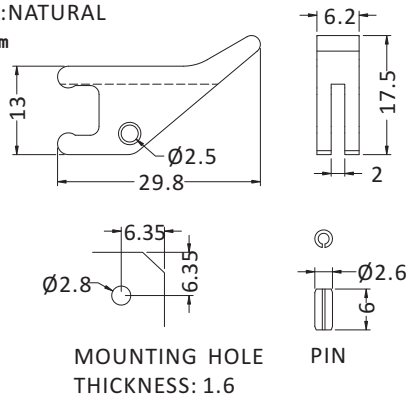


| PART NO | PACKAGE |
|---------|---------|
| MOSCP30 | 1000 |

PC CARD PULLER



- ◆ MATERIAL: NYLON 66 (UL)
- ◆ FLAME CLASS: 94V-2
- ◆ PIN MATERIAL: STEEL
- ◆ COLOR: NATURAL
- ◆ UNIT: mm

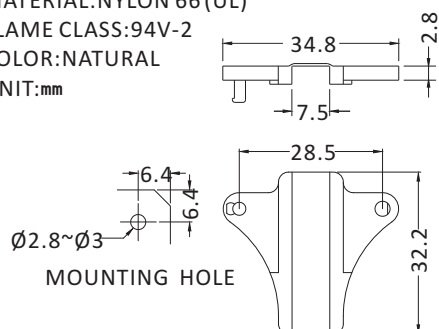


| PART NO | PACKAGE |
|---------|---------|
| MOSCP90 | 1000 |

PC CARD PULLER



- ◆ MATERIAL: NYLON 66 (UL)
- ◆ FLAME CLASS: 94V-2
- ◆ COLOR: NATURAL
- ◆ UNIT: mm

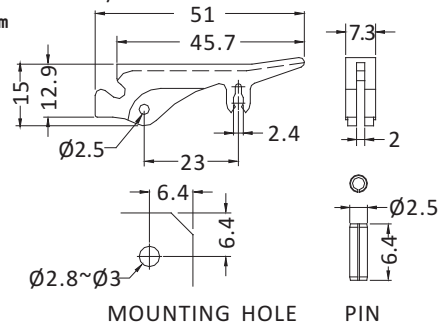


| PART NO | PACKAGE |
|---------|---------|
| MOSCP35 | 500 |

PC CARD PULLER



- ◆ MATERIAL: NYLN 66 (UL)
- ◆ FLAME CLASS: 94V-2
- ◆ PIN MATERIAL: STEEL
- ◆ COLOR: NATURAL/BLACK
- ◆ UNIT: mm

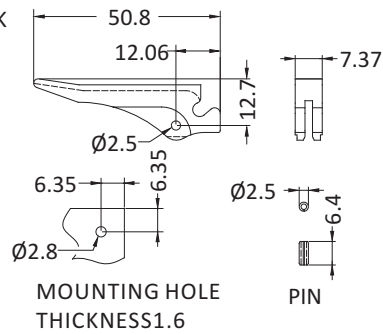


| PART NO | PACKAGE |
|---------|---------|
| MOSCP37 | 250 |

PC CARD PULLER



- ◆ MATERIAL: NYLON 66 (UL)
- ◆ FLAME CLASS: 94V-0/94V-2
- ◆ PIN MATERIAL: STEEL
- ◆ COLOR: BLACK
- ◆ UNIT: mm

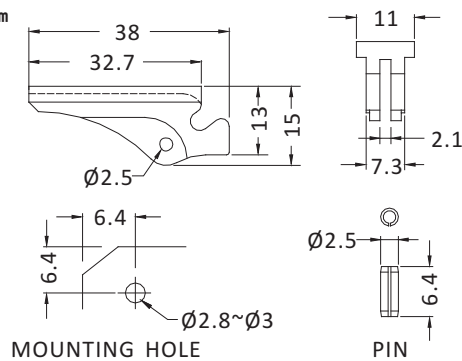


| PART NO | PACKAGE |
|---------|---------|
| MOSCP38 | 1000 |

PC CARD PULLER



- ◆ MATERIAL: NYLON 66 (UL)
- ◆ FLAME CLASS: 94HB
- ◆ PIN MATERIAL: STEEL
- ◆ COLOR: NATURAL/BLACK
- ◆ UNIT: mm

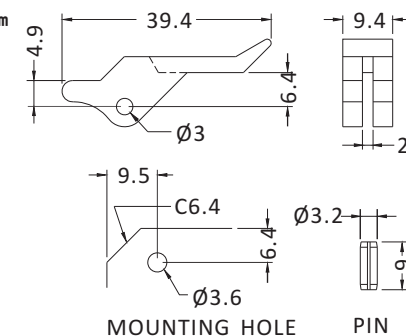


| PART NO | PACKAGE |
|---------|---------|
| MOSCP47 | 500 |

PC CARD PULLER



- ◆ MATERIAL: NYLON 66 (UL) / POM (UL)
- ◆ FLAME CLASS: 94V-2/94HB
- ◆ PIN MATERIAL: STEEL
- ◆ COLOR: NATURAL
- ◆ UNIT: mm

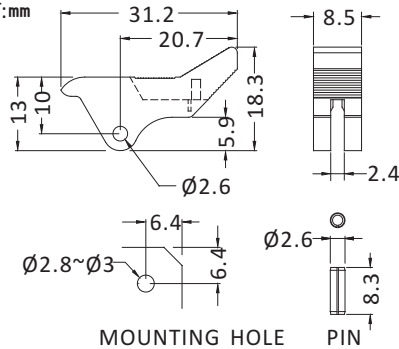


| PART NO | PACKAGE |
|---------|---------|
| MOSCP50 | 500 |

PC CARD PULLER



- ◆ MATERIAL: NYLON 66(UL)
- ◆ FLAME CLASS: 94V-2
- ◆ PIN MATERIAL: STEEL
- ◆ COLOR: BLACK
- ◆ UNIT: mm

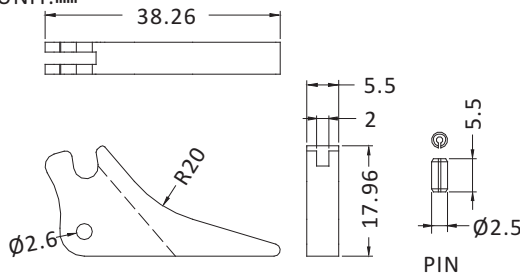


| PART NO | PACKAGE |
|---------|---------|
| MOSCP70 | 1000 |

PC CARD PULLER



- ◆ MATERIAL: POM(UL)
- ◆ FLAME CLASS: 94HB
- ◆ PIN MATERIAL: STEEL
- ◆ COLOR: BLACK
- ◆ UNIT: mm

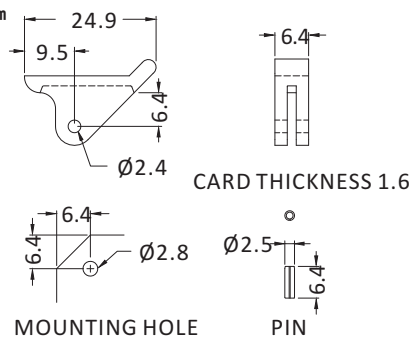


| PART NO | PACKAGE |
|---------|---------|
| MOSCP72 | 500 |

PC CARD PULLER



- ◆ MATERIAL: NYLON 66 (UL)
- ◆ FLAME CLASS: 94V-2
- ◆ PIN MATERIAL: STEEL
- ◆ COLOR: NATURAL
- ◆ UNIT: mm

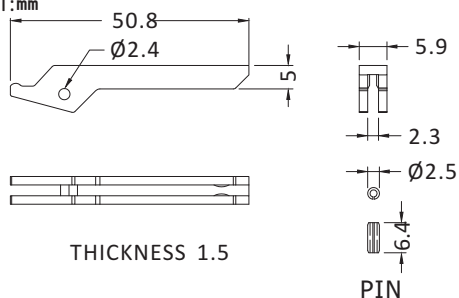


| PART NO | PACKAGE |
|---------|---------|
| MOSCP82 | 1000 |

PC CARD PULLER



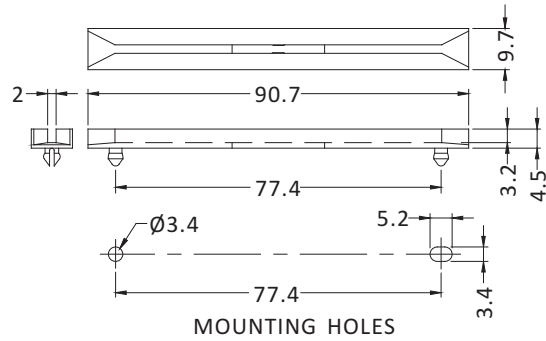
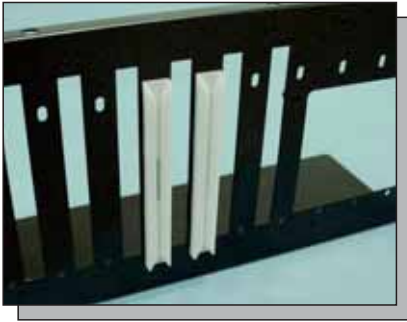
- ◆ MATERIAL: NYLON 66 (UL)
- ◆ FLAME CLASS: 94V-0
- ◆ PIN MATERIAL: STEEL
- ◆ COLOR: BLACK
- ◆ UNIT: mm



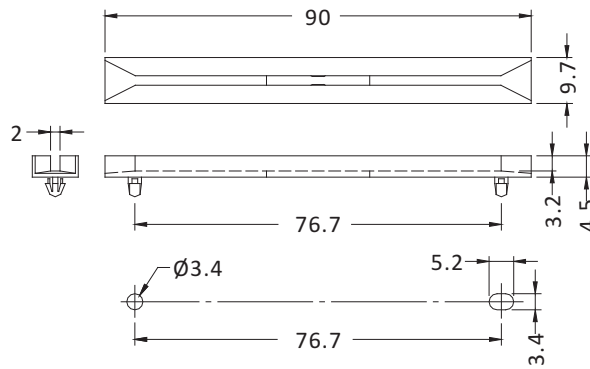
| PART NO | PACKAGE |
|---------|---------|
| MOSCP84 | 1000 |

PC CARD GUIDE

- ◆ MATERIAL: NYLON 66 (UL)
- ◆ FLAME CLASS: 94V-2
- ◆ COLOR: NATURAL/BLACK
- ◆ UNIT: mm



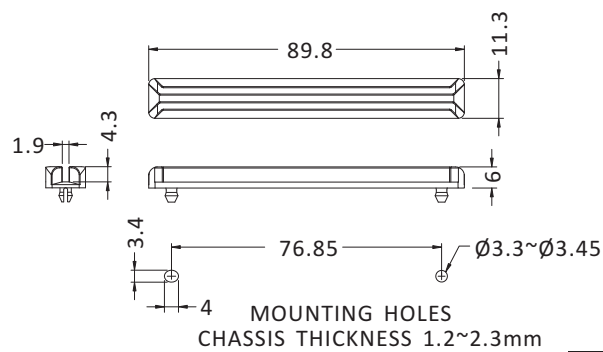
| PART NO | PACKAGE |
|---------|---------|
| MOSCG9A | 250 |



| PART NO | PACKAGE |
|---------|---------|
| MOSCG9B | 250 |

PC CARD GUIDE

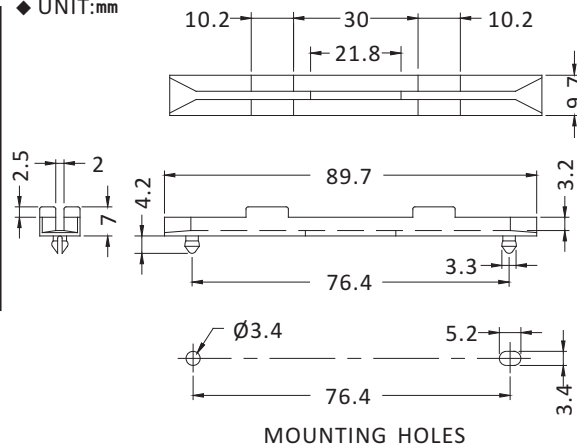
- ◆ MATERIAL: NYLON 66 (UL)
- ◆ FLAME CLASS: 94V-2
- ◆ COLOR: NATURAL
- ◆ UNIT: mm



| PART NO | PACKAGE |
|---------|---------|
| MOSCG9D | 500 |

PC CARD GUIDE

- ◆ MATERIAL: NYLON 66 (UL)
- ◆ FLAME CLASS: 94V-2
- ◆ COLOR: NATURAL/BLACK
- ◆ UNIT: mm

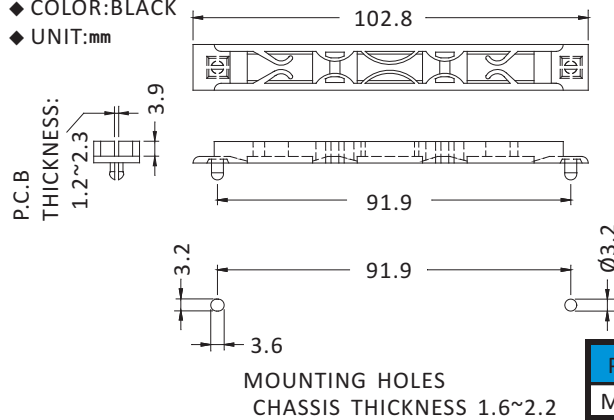


| PART NO | PACKAGE |
|----------|---------|
| MOSCG9AL | 250 |

MOUNTING HOLES

PC CARD GUIDE

- ◆ MATERIAL: NYLON 66 (UL)
- ◆ FLAME CLASS: 94V-2
- ◆ COLOR: BLACK
- ◆ UNIT: mm

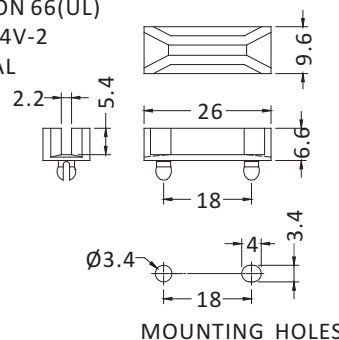


| PART NO | PACKAGE |
|----------|---------|
| MOSCG10A | 250 |

MOUNTING HOLES
CHASSIS THICKNESS 1.6~2.2

PC CARD GUIDE

- ◆ MATERIAL: NYLON 66(UL)
- ◆ FLAME CLASS: 94V-2
- ◆ COLOR: NATURAL
- ◆ UNIT: mm

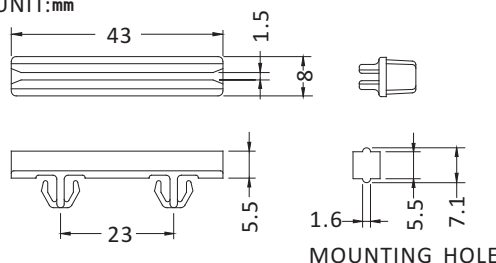


| PART NO | PACKAGE |
|---------|---------|
| MOSCG26 | 500 |

MOUNTING HOLES

PC CARD GUIDE

- ◆ MATERIAL: NYLON 66 (UL)
- ◆ FLAME CLASS : 94V-0/94V-2
- ◆ COLOR: NATURAL
- ◆ UNIT: mm

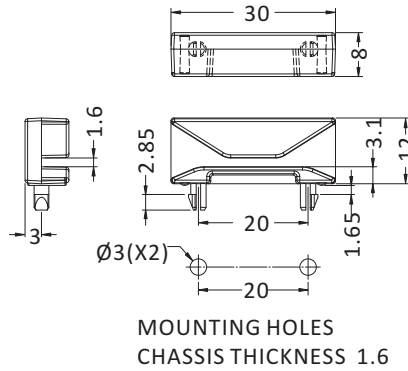


| PART NO | PACKAGE |
|----------|---------|
| MOSCGC43 | 500 |

MOUNTING HOLE

PC CARD GUIDE

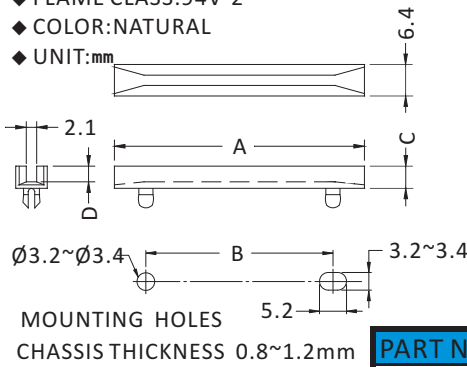
- ◆ MATERIAL:ABS (UL)
- ◆ FLAME CLASS:94HB/94V-0
- ◆ COLOR:BLACK
- ◆ UNIT:mm



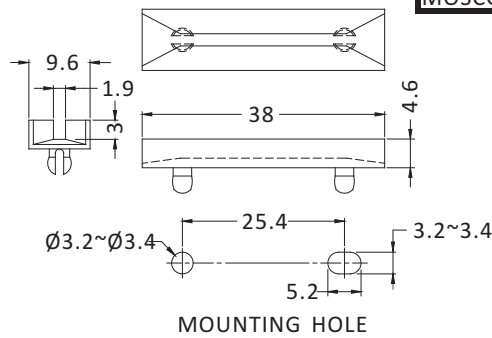
| PART NO | PACKAGE |
|---------|---------|
| MOSCG30 | 500 |

PC CARD GUIDE

- ◆ MATERIAL:NYLON 66 (UL)
- ◆ FLAME CLASS:94V-2
- ◆ COLOR:NATURAL
- ◆ UNIT:mm



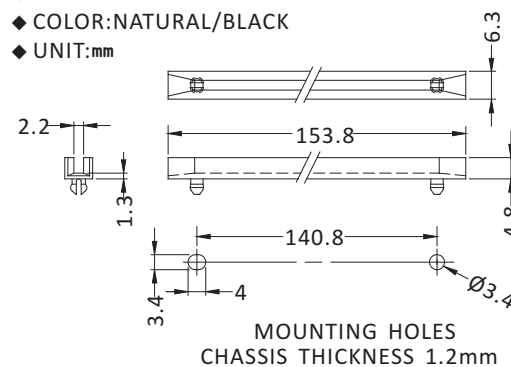
| PART NO | A | B | C | D | PACKAGE |
|----------|------|------|-----|-----|---------|
| MOSCG38 | 38.0 | 25.4 | 4.5 | 3.2 | 500 |
| MOSCG50 | 50.8 | 38.0 | 4.5 | 3.2 | |
| MOSCG50S | 50.8 | 38.0 | 2.5 | 1.2 | |



| PART NO | PACKAGE |
|----------|---------|
| MOSCG38L | 500 |

PC CARD GUIDE

- ◆ MATERIAL:NYLON 66(UL)
- ◆ FLAME CLASS:94V-2
- ◆ COLOR:NATURAL/BLACK
- ◆ UNIT:mm

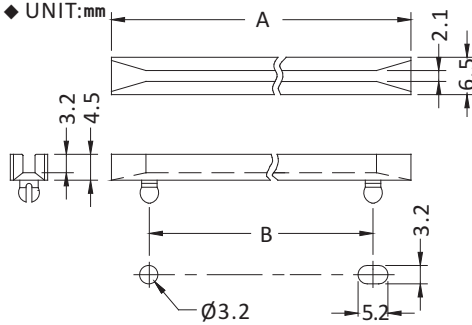


| PART NO | PACKAGE |
|----------|---------|
| MOSCG153 | 100 |

PC CARD GUIDE



- ◆ MATERIAL: NYLON 66(UL)
- ◆ FLAME CLASS: 94V-2
- ◆ COLOR: NATURAL/BLACK
- ◆ UNIT: mm



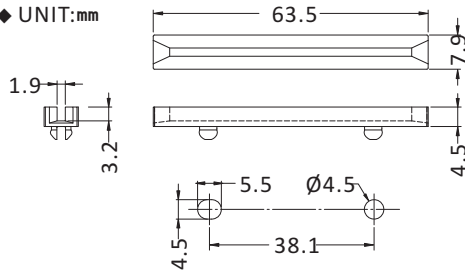
| PART NO | A | B | PACKAGE |
|----------|-------|-------|---------|
| MOSCG250 | 63.5 | 50.8 | 500 |
| MOSCG300 | 76.2 | 63.5 | |
| MOSCG350 | 88.9 | 76.2 | 250 |
| MOSCG400 | 101.6 | 88.9 | |
| MOSCG450 | 114.3 | 101.6 | 200 |
| MOSCG500 | 127.0 | 114.3 | |
| MOSCG550 | 139.7 | 127.0 | |
| MOSCG600 | 152.4 | 139.7 | |

MOUNTING HOLES
CHASSIS THICKNESS 0.8~1.2

PC CARD GUIDE



- ◆ MATERIAL: NYLON 66 (UL)
- ◆ FLAME CLASS: 94V-2
- ◆ COLOR: NATURAL
- ◆ UNIT: mm



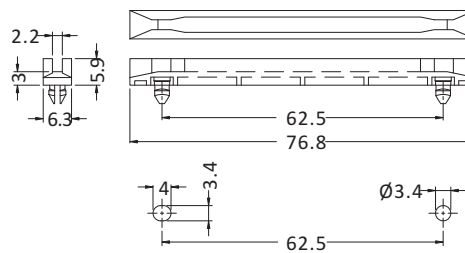
| PART NO | PACKAGE |
|---------|---------|
| MOSCG63 | 500 |

MOUNTING HOLES
CHASSIS THICKNESS 0.8mm

PC CARD GUIDE



- ◆ MATERIAL: NYLON 66 (UL)
- ◆ FLAME CLASS: 94V-2
- ◆ COLOR: BLACK
- ◆ UNIT: mm



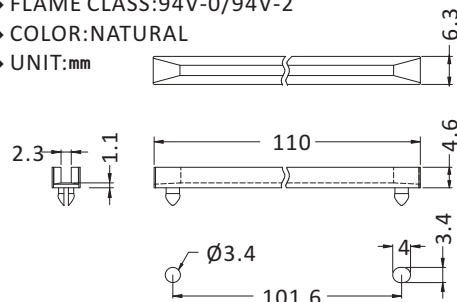
| PART NO | PACKAGE |
|---------|---------|
| MOSCG77 | 500 |

MOUNTING HOLES
MAX. THICKNESS: 1.0

PC CARD GUIDE



- ◆ MATERIAL: NYLON 66 (UL)
- ◆ FLAME CLASS: 94V-0/94V-2
- ◆ COLOR: NATURAL
- ◆ UNIT: mm



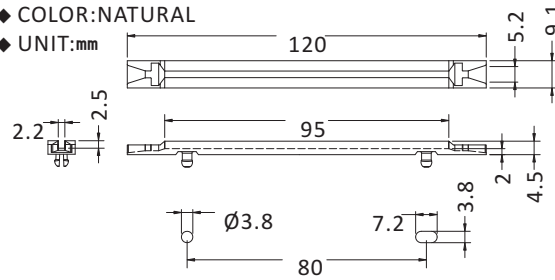
| PART NO | PACKAGE |
|----------|---------|
| MOSCG110 | 100 |

MOUNTING HOLES
THICKNESS 0.8~1.2

PC CARD GUIDE

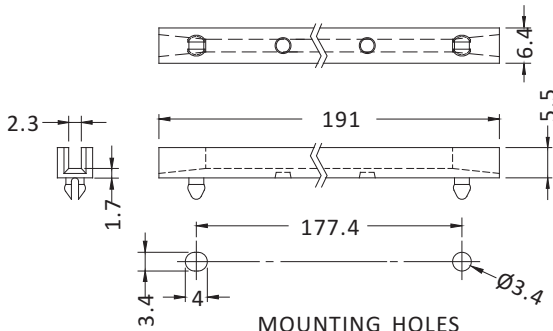


- ◆ MATERIAL: NYLON 66 (UL)
- ◆ FLAME CLASS: 94V-2
- ◆ COLOR: NATURAL
- ◆ UNIT: mm



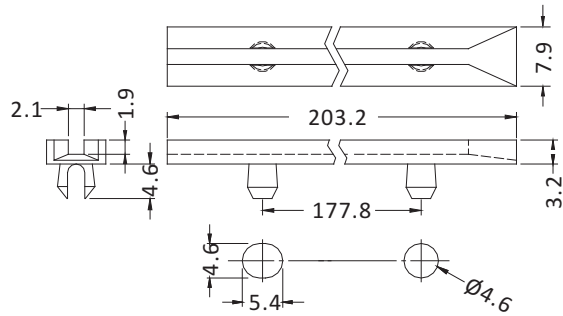
| PART NO | PACKAGE |
|----------|---------|
| MOSCG120 | 100 |

MOUNTING HOLES
CHASSIS THICKNESS 1.6



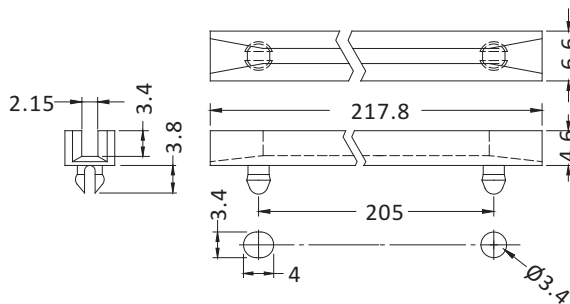
MOUNTING HOLES
CHASSIS THICKNESS 1.2mm

| PART NO | PACKAGE |
|----------|---------|
| MOSCG191 | 100 |



MOUNTING HOLES
CHASSIS THICKNESS 1.2mm

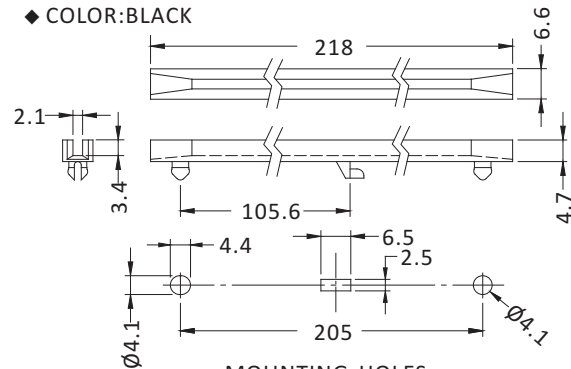
| PART NO | PACKAGE |
|----------|---------|
| MOSCG203 | 100 |



MOUNTING HOLES
CHASSIS THICKNESS 1.2mm

| PART NO | PACKAGE |
|----------|---------|
| MOSCG218 | 100 |

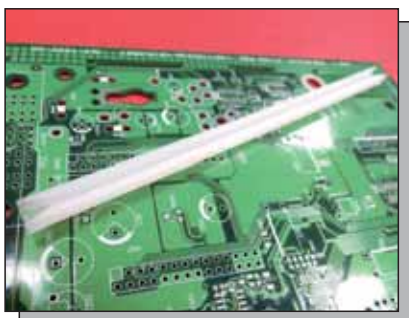
- ◆ MATERIAL: PC (UL)
- ◆ COLOR: BLACK



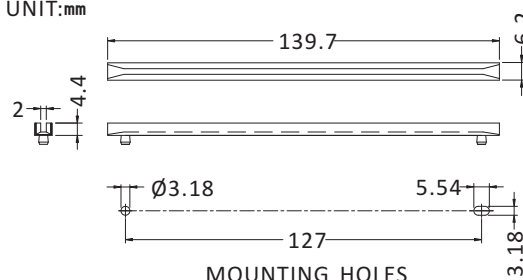
MOUNTING HOLES
CHASSIS THICKNESS 1.2mm

| PART NO | PACKAGE |
|---------|---------|
| CGF-218 | 100 |

PC CARD GUIDE



- ◆ MATERIAL: NYLON 66 (UL)
- ◆ FLAME CLASS: 94V-0/94V-2
- ◆ COLOR: NATURAL
- ◆ UNIT: mm

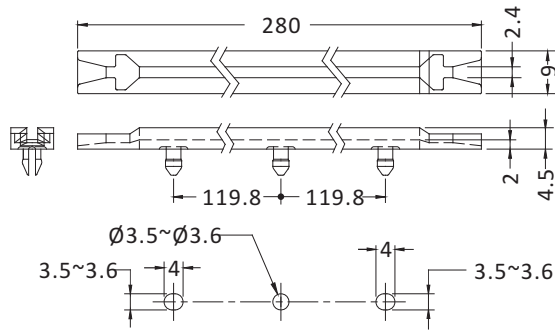


MOUNTING HOLES

| PART NO | PACKAGE |
|----------|---------|
| MOSCG140 | 500 |

PC CARD GUIDE

- ◆ MATERIAL: NYLON 66 (UL)
- ◆ FLAME CLASS: 94V-2
- ◆ COLOR: BLACK/NATURAL
- ◆ UNIT: mm

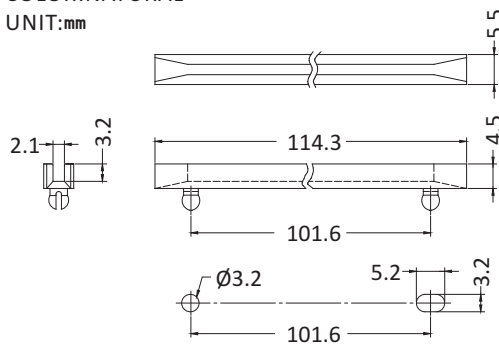


HOLE IN CHASSIS
MAX THICKNESS 2mm

| PART NO | PACKAGE |
|----------|---------|
| MOSCG280 | 100 |

PC CARD GUIDE

- ◆ MATERIAL: NYLON 66 (UL)
- ◆ FLAME CLASS: 94V-2
- ◆ COLOR: NATURAL
- ◆ UNIT: mm

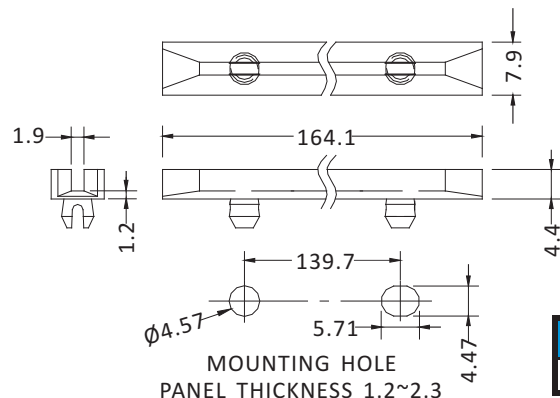


MOUNTING HOLES
CHASSIS THICKNESS 0.8~1.2

| PART NO | PACKAGE |
|-----------|---------|
| MOSCG450S | 500 |

PC CARD GUIDE

- ◆ MATERIAL: NYLON 66(UL)
- ◆ FLAME CLASS: 94V-2
- ◆ COLOR: NATURAL/BLACK
- ◆ UNIT: mm



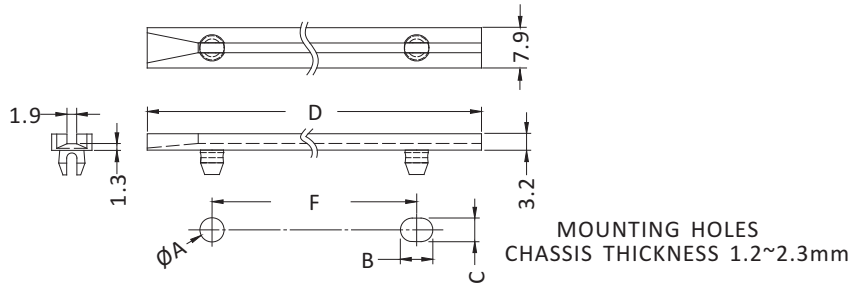
MOUNTING HOLE
PANEL THICKNESS 1.2~2.3

| PART NO | PACKAGE |
|----------|---------|
| MOSCG650 | 500 |

PC CARD GUIDE



- ◆ MATERIAL: NYLON 66 (UL)
- ◆ FLAME CLASS: 94V-0/94V-2
- ◆ COLOR: NATURAL
- ◆ UNIT: mm

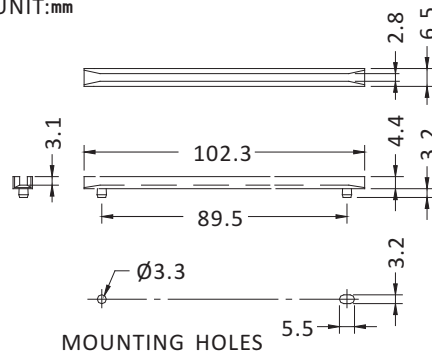


| PART NO | A | B | C | D | F | PACKAGE |
|-----------|------|------|------|-------|-------|---------|
| MOSCG700 | 4.75 | 6.35 | 4.62 | 177.8 | 152.4 | 100 |
| MOSCG700A | 4.5 | 5.6 | 4.4 | 177.8 | 152.4 | |
| MOSCG750 | 4.57 | 5.71 | 4.47 | 190.5 | 165.1 | |

PC CARD GUIDE



- ◆ MATERIAL: NYLON 66 (UL)
- ◆ FLAME CLASS: 94V-2
- ◆ COLOR: NATURAL/BLACK
- ◆ UNIT: mm

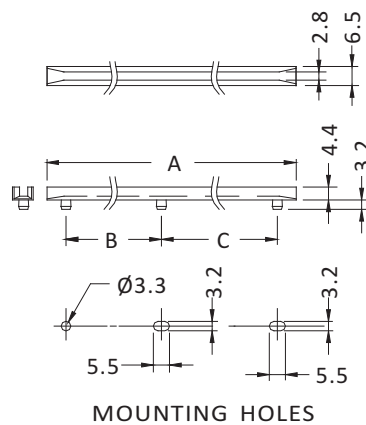


| PART NO | PACKAGE |
|-----------|---------|
| MOSCGA102 | 250 |

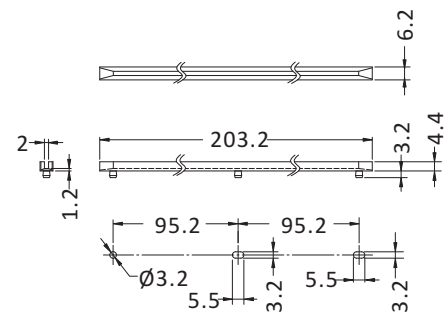
PC CARD GUIDE



- ◆ MATERIAL: NYLON 66 (UL)
- ◆ FLAME CLASS: 94V-2
- ◆ COLOR: NATURAL/BLACK
- ◆ UNIT: mm



| PART NO | A | B | C | PACKAGE |
|-----------|-------|-----|-----|---------|
| MOSCGA178 | 178.5 | 83 | 83 | 200 |
| MOSCGA217 | 217.0 | 102 | 102 | |



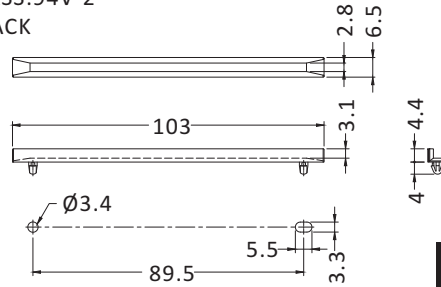
| PART NO | PACKAGE |
|-----------|---------|
| MOSCGA203 | 100 |

PC CARD GUIDE

NEW



- ◆ MATERIAL: NYLON 66 (UL)
- ◆ FLAME CLASS: 94V-2
- ◆ COLOR: BLACK
- ◆ UNIT: mm



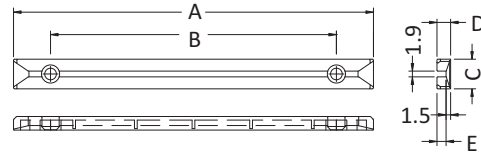
RECOMMEND MOUNTING HOLE
RECOMMEND THICKNESS: 1.0

| PART NO | PACKAGE |
|-------------|---------|
| MOSCGDLA102 | 500 |

PC CARD GUIDE



- ◆ MATERIAL: NYLON 66 (UL)
- ◆ FLAME CLASS: 94V-2
- ◆ COLOR: NATURAL
- ◆ UNIT: mm

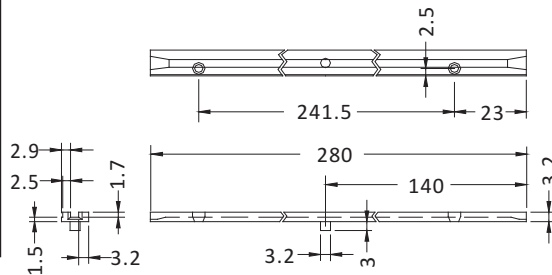


| PART NO | A | B | C | D | E | PACKAGE |
|-----------|-------|-------|-----|-----|-----|---------|
| MOSCGB120 | 119.0 | 94.5 | 9.8 | 4.5 | 3.0 | 250 |
| MOSCGB140 | 139.8 | 114.5 | 9.7 | 4.3 | 2.8 | |
| MOSCGB160 | 158.7 | 135.0 | 9.7 | 4.3 | 2.8 | |

PC CARD GUIDE



- ◆ MATERIAL: NYLON 66 (UL)
- ◆ FLAME CLASS: 94V-2
- ◆ COLOR: BLACK
- ◆ UNIT: mm

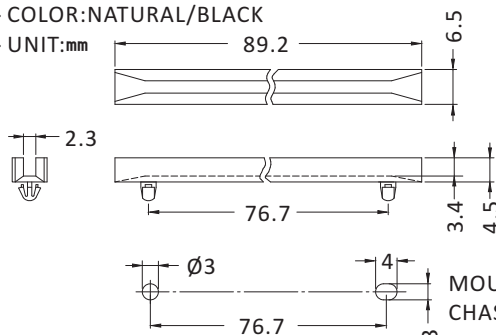


| PART NO | PACKAGE |
|-----------|---------|
| MOSCGS280 | 100 |

PC CARD GUIDE



- ◆ MATERIAL: NYLON 66 (UL)
- ◆ FLAME CLASS: 94V-2
- ◆ COLOR: NATURAL/BLACK
- ◆ UNIT: mm



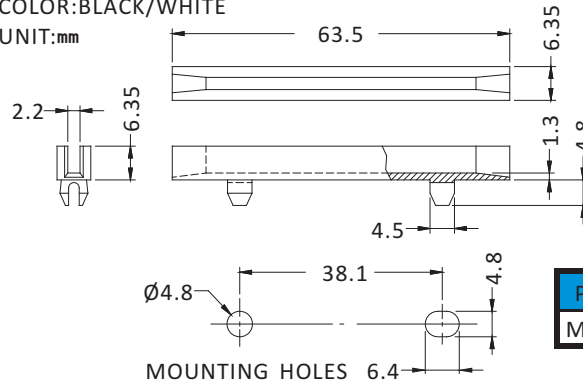
MOUNTING HOLES
CHASSIS THICKNESS 0.8mm

| PART NO | PACKAGE |
|-------------|---------|
| MOSCGDLA350 | 250 |

PC CARD GUIDE



- ◆ MATERIAL: NYLON 66 (UL)
- ◆ FLAME CLASS: 94V-2 / 94V-0
- ◆ COLOR: BLACK/WHITE
- ◆ UNIT: mm

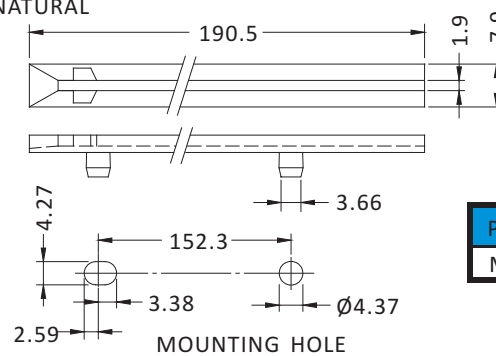


| PART NO | PACKAGE |
|-----------|---------|
| MOSBCG250 | 500 |

PC CARD GUIDE



- ◆ MATERIAL: NYLON 66 (UL)
- ◆ FLAME CLASS: 94V-0/94V-2
- ◆ COLOR: NATURAL
- ◆ UNIT: mm

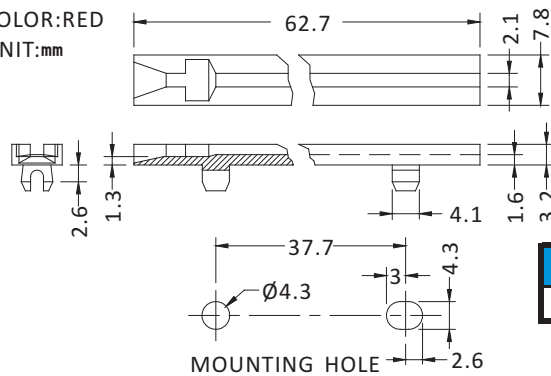


| PART NO | PACKAGE |
|----------|---------|
| MOSFR190 | 500 |

PC CARD GUIDE

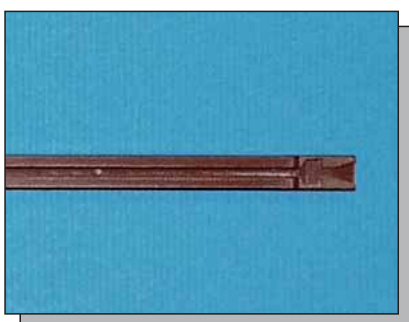


- ◆ MATERIAL: NYLON 66 (UL)
- ◆ FLAME CLASS: 94V-2
- ◆ COLOR: RED
- ◆ UNIT: mm

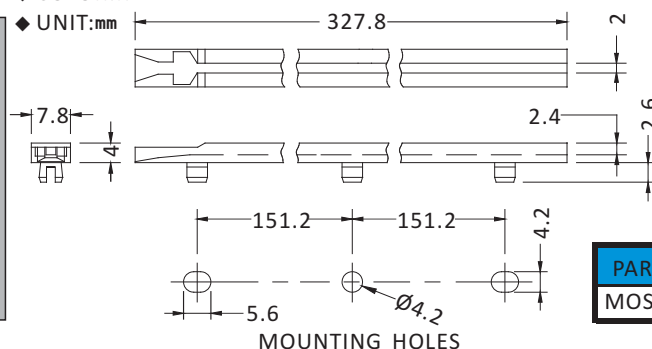


| PART NO | PACKAGE |
|----------|---------|
| MOSFR250 | 500 |

PC CARD GUIDE



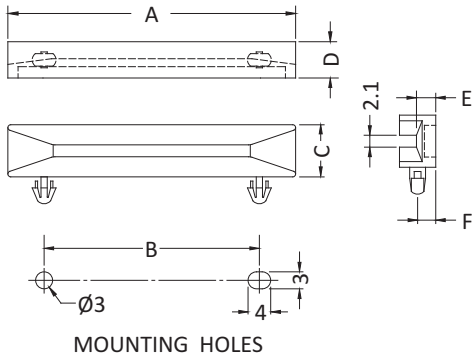
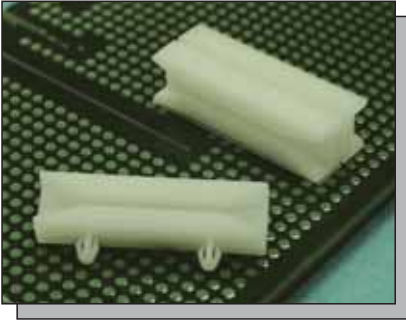
- ◆ MATERIAL: NYLON 66 (UL)
- ◆ FLAME CLASS: 94V-2
- ◆ COLOR: RED
- ◆ UNIT: mm



| PART NO | PACKAGE |
|-----------|---------|
| MOSFR1300 | 100 |

PC CARD GUIDE

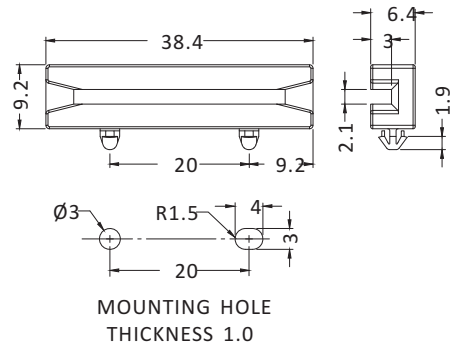
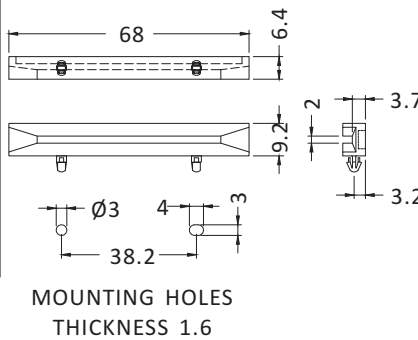
- ◆ MATERIAL: NYLON 66 (UL)
- ◆ FLAME CLASS: 94V-2
- ◆ COLOR: NATURAL
- ◆ UNIT: mm



| PART NO | A | B | C | D | E | F | P.C.B THICKNESS | PACKAGE |
|------------|------|------|-----|-----|-----|-----|-----------------|---------|
| MOSCGLA4 | 38.4 | 20.0 | 9.2 | 6.4 | 3.4 | 3.2 | 1.6~1.7 | 500 |
| MOSCGLA41 | | | | | | | 1.0 | |
| MOSCGLA42 | | | | | | | 2.0 | |
| MOSCGLA4S | 40.0 | 20.0 | 8.0 | 6.0 | 3.0 | 3.0 | 1.6 | |
| MOSCGLA6 | 51.0 | 38.2 | 9.2 | 6.4 | 3.4 | 3.2 | 1.6~1.7 | |
| MOSCGLA8 | 81.0 | 60.0 | 8.0 | 6.0 | 3.0 | 3.0 | 1.6~1.8 | 250 |
| MOSCGLA82 | | | | | | | 1.8~2.1 | |
| MOSCGLA88 | | | | | | | 1.8 | |
| MOSCGLA825 | | | | | | | 2.5 | |
| MOSCGLA91 | 91.5 | 71.0 | | | | | 1.6~1.8 | |
| MOSCGLA92 | | | | | | | 1.8~2.1 | |

PC CARD GUIDE

- ◆ MATERIAL: NYLON 66 (UL)
- ◆ FLAME CLASS: 94V-0/94V-2
- ◆ COLOR: NATURAL/BLACK
- ◆ UNIT: mm

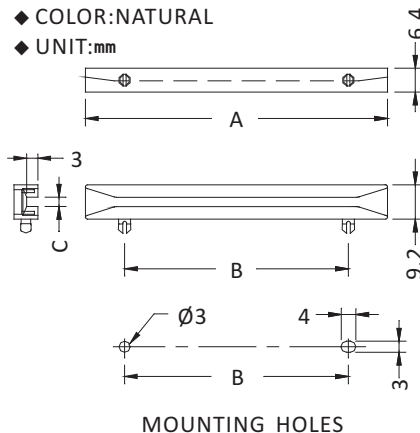
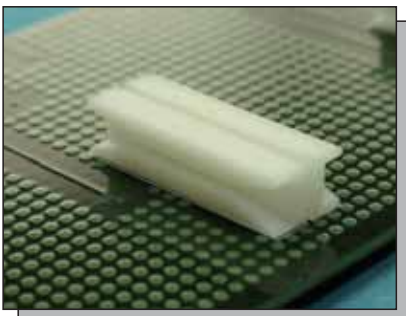


| PART NO | PACKAGE |
|-----------|---------|
| MOSCGLA10 | 200 |

| PART NO | PACKAGE |
|-----------|---------|
| MOSCGLA11 | 500 |

PC CARD GUIDE

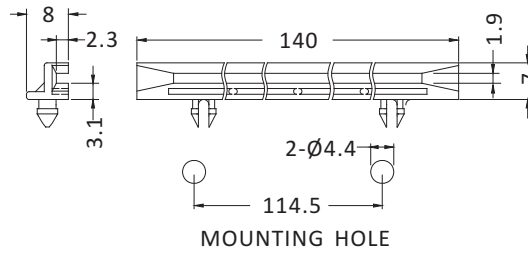
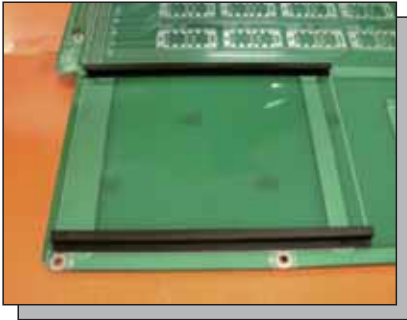
- ◆ MATERIAL: NYLON 66 (UL)
- ◆ FLAME CLASS: 94V-2
- ◆ COLOR: NATURAL
- ◆ UNIT: mm



| PART NO | A | B | C | PACKAGE |
|----------|------|------|-----|---------|
| MOSCGLA4 | 38.4 | 20.0 | 2.0 | 500 |
| MOSCGLA8 | 81.0 | 60.0 | 2.5 | 250 |

PC CARD GUIDE

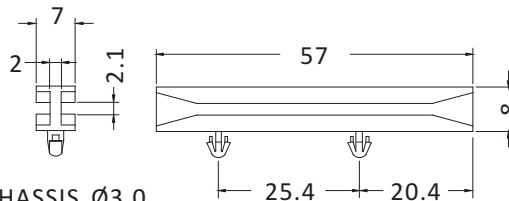
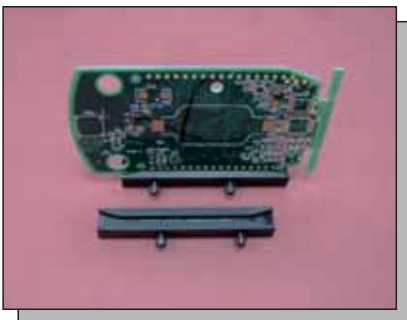
- ◆ MATERIAL: NYLON 66 (UL)
- ◆ FLAME CLASS: 94V-2
- ◆ COLOR: BLACK
- ◆ UNIT: mm



| PART NO | PACKAGE |
|-----------|---------|
| MOSCGA140 | 100 |

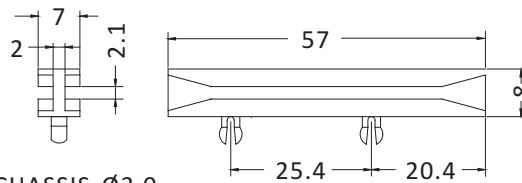
PC CARD GUIDE

- ◆ MATERIAL: NYLON 66 (UL)
- ◆ FLAME CLASS :94V-2
- ◆ COLOR: BLACK/NATURAL
- ◆ UNIT: mm



CHASSIS Ø3.0
THICKNESS 1.8

| PART NO | PACKAGE |
|------------|---------|
| MOSCGDLA57 | 500 |

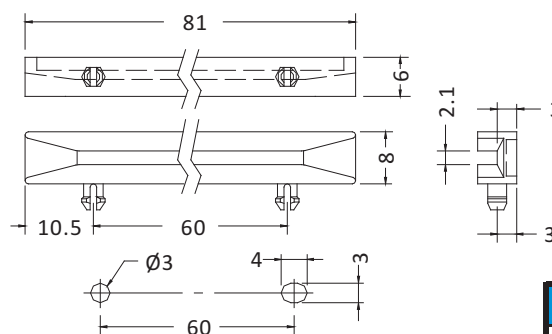


CHASSIS Ø3.0
THICKNESS 1.8

| PART NO | PACKAGE |
|------------|---------|
| MOSCGDLB57 | 500 |

PC CARD GUIDE

- ◆ MATERIAL: NYLON 66 (UL)
- ◆ FLAME CLASS: 94V-2
- ◆ COLOR: NATURAL
- ◆ UNIT: mm

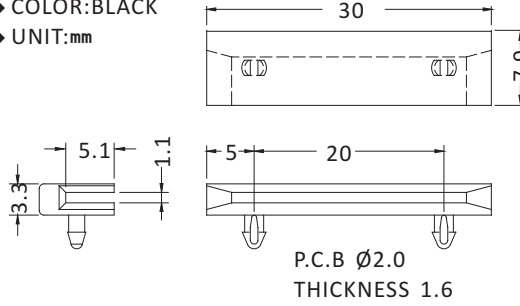


MOUNTING HOLE
P.C.B THICKNESS 1.8

| PART NO | PACKAGE |
|------------|---------|
| MOSMOCGLC8 | 500 |

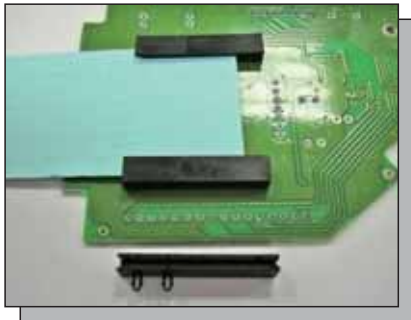


- ◆ MATERIAL: NYLON 66 (UL)
- ◆ FLAME CLASS: 94V-2
- ◆ COLOR: BLACK
- ◆ UNIT: mm

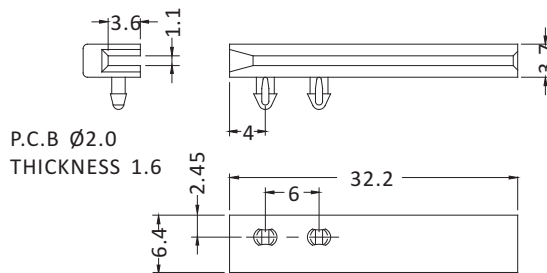


| PART NO | PACKAGE |
|-----------|---------|
| MOSCGLC30 | 500 |

PC CARD GUIDE



- ◆ MATERIAL: NYLON 66 (UL)
- ◆ FLAME CLASS: 94V-2
- ◆ COLOR: BLACK
- ◆ UNIT: mm



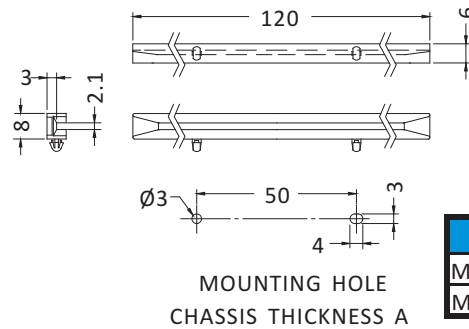
CGLC321
CGLC322

| PART NO | PACKAGE |
|-----------|---------|
| MOSCGLC32 | 500 |

PC CARD GUIDE

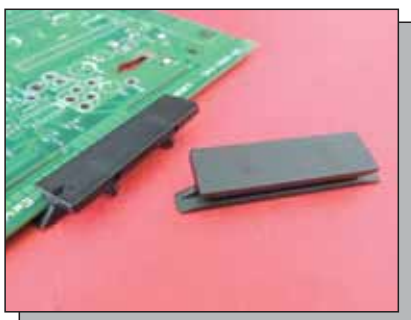


- ◆ MATERIAL: NYLON 66 (UL)
- ◆ FLAME CLASS :94V-2
- ◆ COLOR: NATURAL
- ◆ UNIT: mm

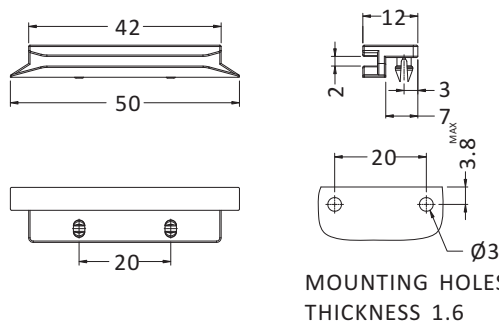


| PART NO | A | PACKAGE |
|-------------|---------|---------|
| MOSCGLC120 | 1.6~1.8 | 200 |
| MOSCGLC120S | 1.0 | |

PC CARD GUIDE



- ◆ MATERIAL: NYLON 66 (UL)
- ◆ FLAME CLASS: 94V-2
- ◆ COLOR: NATURAL/BLACK
- ◆ UNIT: mm

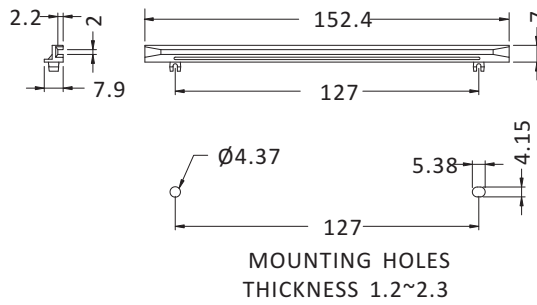


| PART NO | PACKAGE |
|-----------|---------|
| MOSCGLD50 | 500 |

PC CARD GUIDE



- ◆ MATERIAL: NYLON 66 (UL)
- ◆ FLAME CLASS: 94V-2
- ◆ COLOR: BLACK/NATURAL
- ◆ UNIT: mm

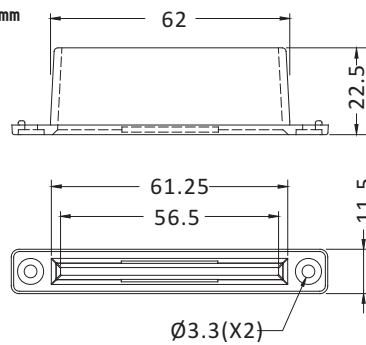


| PART NO | PACKAGE |
|------------|---------|
| MOSCGLC153 | 250 |

CARD BEZEL



- ◆ MATERIAL: ABS (UL)
- ◆ FLAME CLASS: 94HB
- ◆ COLOR: BLACK
- ◆ UNIT: mm

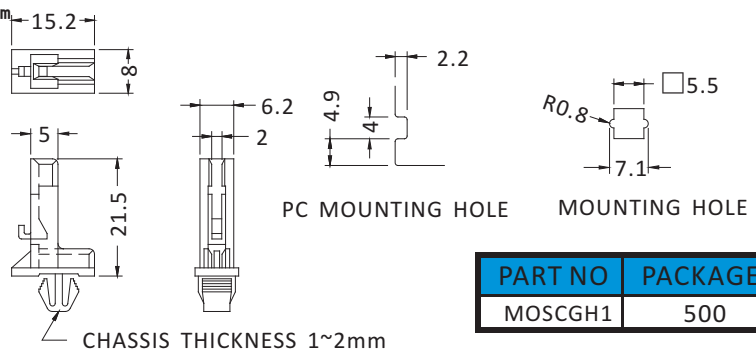


| PART NO | PACKAGE |
|------------|---------|
| MOSCRDCV56 | 100 |

CARD GUIDE

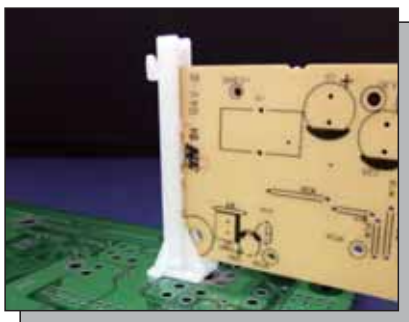


- ◆ MATERIAL: NYLON 66 (UL)
- ◆ FLAME CLASS: 94V-2
- ◆ COLOR: NATURAL
- ◆ UNIT: mm

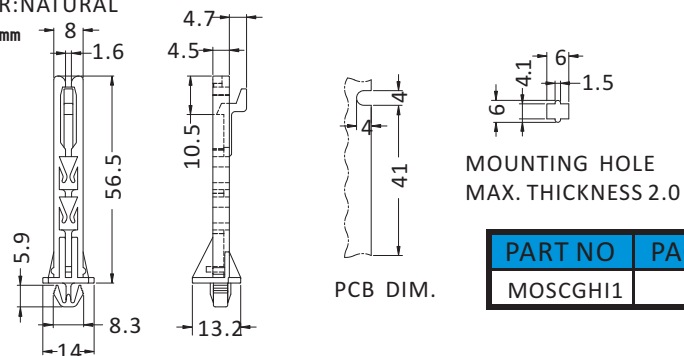


| PART NO | PACKAGE |
|---------|---------|
| MOSCGH1 | 500 |

CARD GUIDE



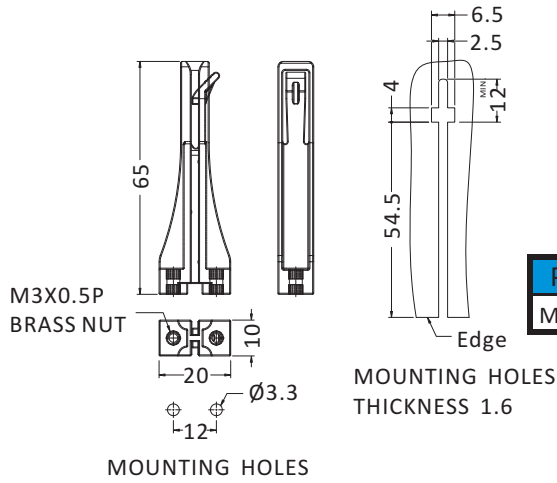
- ◆ MATERIAL: NYLON 66 (UL)
- ◆ FLAME CLASS: 94V-2
- ◆ COLOR: NATURAL
- ◆ UNIT: mm



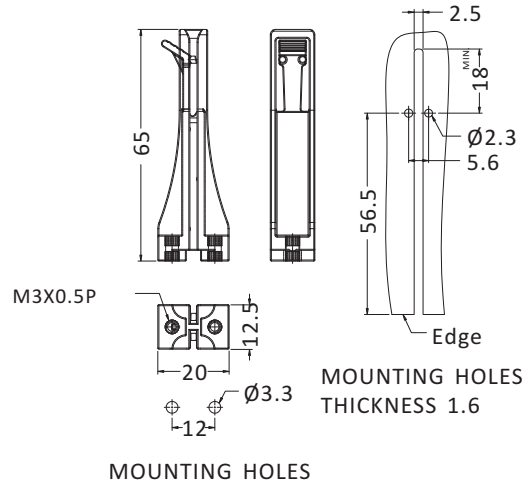
| PART NO | PACKAGE |
|---------|---------|
| MOSCGH1 | 500 |



- ◆ MATERIAL:PC+ABS (UL)
- ◆ FLAME CLASS:94V-2
- ◆ COLOR:BLUE/BLACK
- ◆ UNIT:mm



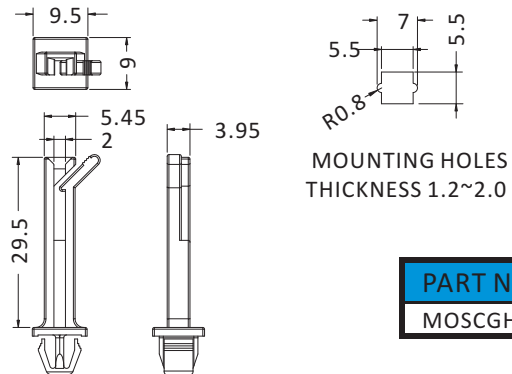
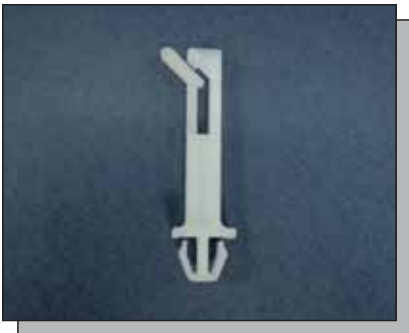
| PART NO | PACKAGE |
|-----------|---------|
| MOSCGHA65 | 500 |



| PART NO | PACKAGE |
|-----------|---------|
| MOSCGHB65 | 500 |

CARD GUIDE

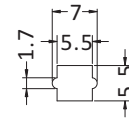
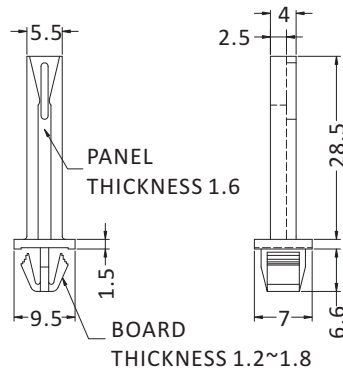
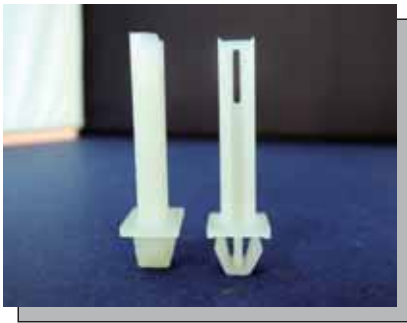
- ◆ MATERIAL:NYLON 66 (UL)
- ◆ FLAME CLASS:94V-2
- ◆ COLOR:NATURAL
- ◆ UNIT:mm



| PART NO | PACKAGE |
|----------|---------|
| MOSCGH31 | 500 |

CARD GUIDE

- ◆ MATERIAL: NYLON 66 (UL)
- ◆ FLAME CLASS: 94V-2
- ◆ COLOR: NATURAL
- ◆ UNIT: mm

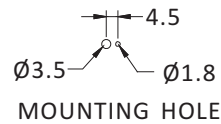
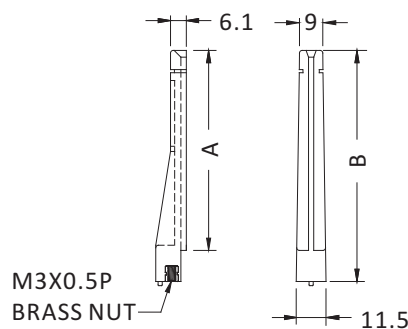
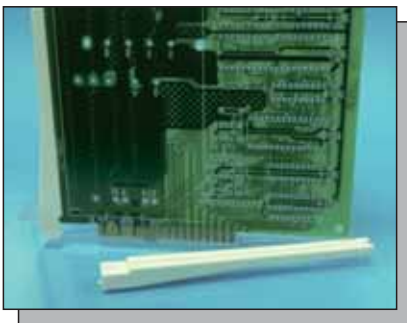


MOUNTING HOLE

| PART NO | PACKAGE |
|----------|---------|
| MOSCGH37 | 1000 |

CARD GUIDE

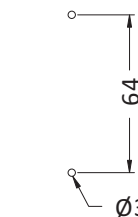
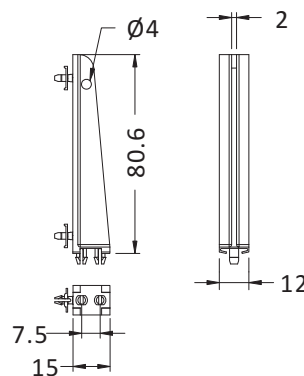
- ◆ MATERIAL: NYLON 66 (UL)
- ◆ FLAME CLASS: 94V-2
- ◆ COLOR: NATURAL
- ◆ UNIT: mm



| PART NO | A | B | PACKAGE |
|-----------|-------|-------|---------|
| MOSCGH90 | 77.2 | 89.2 | 200 |
| MOSCGH130 | 118.5 | 130.0 | 100 |

CARD GUIDE

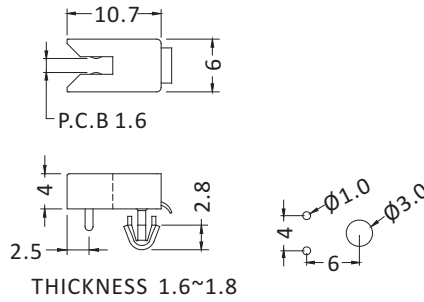
- ◆ MATERIAL: NYLON 66 (UL)
- ◆ FLAME CLASS: 94V-0/94V-2
- ◆ COLOR: NATURAL
- ◆ UNIT: mm



| PART NO | PACKAGE |
|----------|---------|
| MOSCGC-1 | 250 |

PC CARD GUIDE

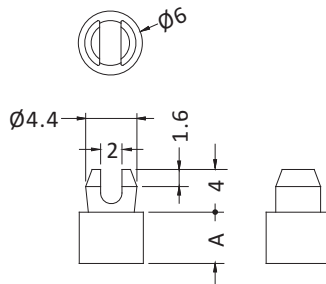
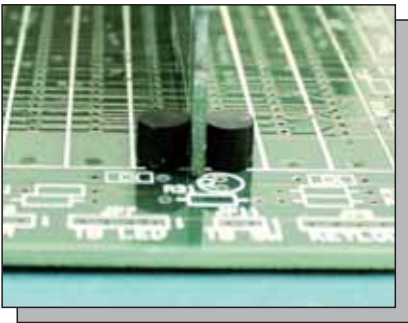
- ◆ MATERIAL:NYLON 66 (UL)
- ◆ FLAME CLASS :94V-2
- ◆ COLOR:NATURAL
- ◆ UNIT:mm



| PART NO | PACKAGE |
|----------|---------|
| MOSULCG1 | 1000 |

PC CARD GUIDE

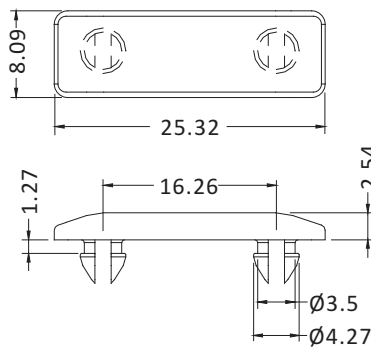
- ◆ MATERIAL:NYLON 66 (UL)
- ◆ FLAME CLASS:94V-2
- ◆ COLOR:BLACK
- ◆ UNIT:mm



| PART NO | A | PACKAGE |
|---------|-----|---------|
| MOSCB2 | 2.0 | 2000 |
| MOSCB6 | 4.8 | |

PC CARD GUIDE

- ◆ MATERIAL:NYLON 66 (UL)
- ◆ FLAME CLASS:94V-2
- ◆ COLOR:BLACK
- ◆ UNIT:mm



| PART NO | PACKAGE |
|-----------|---------|
| MOSINTEC1 | 500 |