

SFO

10 A / 250 VAC
EN 60320

10 A / 250 VAC
15 A / 125 VAC
UL 498

TYPICAL APPLICATIONS

Computer and peripherals, connector for cold/warm conditions with earthing contact, rewirable

WIRING DIAGRAMAS

Power inlet connector 2-pole + earth

CUT OUT

With electric wire

GWT

850 °C

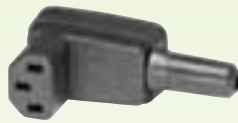
GWT NO FLAME (<2sec)

750 °C on demand



SFO 430

C13
Class I
T 70 °C



Screw terminals

SFO 440

C13
Class I
T 70 °C



Screw terminals

SFO 550

C15
Class I
T 120 °C



Screw terminals

SCM81



10 A / 250 VAC
CEI 23-50 - II Ed. 2007
+V1:2008 +V2:2011

TYPICAL APPLICATIONS

Bathroom furniture

WIRING DIAGRAMAS

- Italian 2-pole
- Italian 2-pole + earth

CUT OUT

27x12 mm

GWT

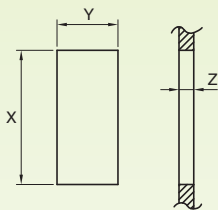
850 °C

GWT NO FLAME (<2sec)

750 °C on demand

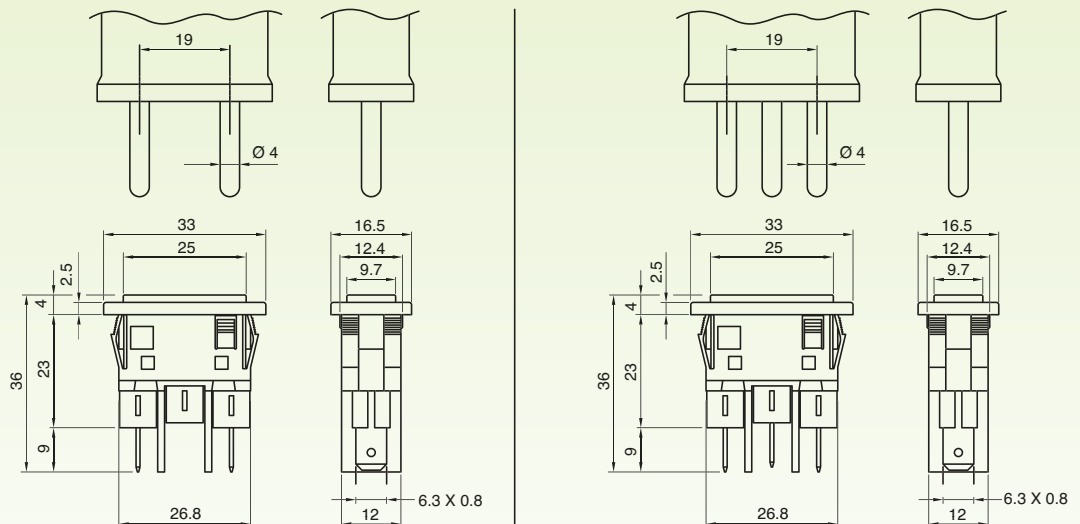


CUT OUT



Z	X	Y
0,75 ... 1,25	12,4	$27,3^{+0,0}_{-0,1}$
1,25 ... 2,0	12,4	$27,5^{+0,0}_{-0,1}$
2,0 ... 3,0	12,4	$27,9^{+0,0}_{-0,2}$
3,0 ... 4,0	12,4	$28,1^{+0,0}_{-0,2}$

DRAWING



Molveno Oem Service Srl

Web: www.molvenoservice.it - Email: molveno@molvenoservice.it

Via Cicogna, 36- Z.I. La Cicogna - 40068 San Lazzaro di Savena (BO) - Italy

Tel. + 39.051.62.59.110 - 051.62.88.592 - Fax. +39.051.62.58.438