



RS



TYPICAL APPLICATIONS Small appliances

- FUNCTIONS**
- SPST, momentary or not
 - SPST, illuminated or not
 - DPST, illuminated or not
 - SPDT
 - SPCO

CYCLE No. 10.000

CUT OUT \varnothing 20 mm

AMBIENT TEMPERATURE 85 °C

GWT 850 °C

GWT NO FLAME (<2sec) 750 °C on demand

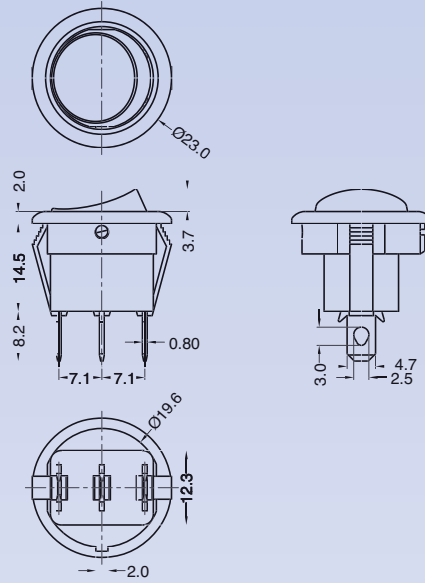
R

S

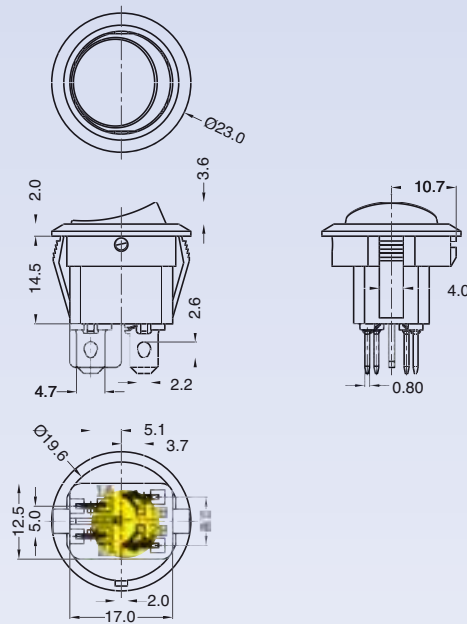
?

DRAWING

1



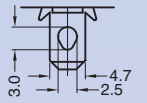
2

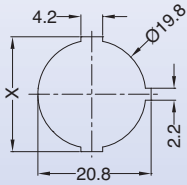


?

TERMINAL

2





Panel thickness	X
0,75 ... 1,25	20.3
1,25 ... 2,0	20.8
2,0 ... 3,0	21.1

DRAWING	TERMINAL	FUNCTION	RATING	BODY COLOUR	ROCKER COLOUR	MARKING COLOUR	MARKING			
R	S							0	0	0

?	?	?	?	?	?	?	0	0	0
---	---	---	---	---	---	---	---	---	---

FUNCTION

1

2

3

4

5

8

A

Z

RATING

1

Drawing 1
Function 1 - 3 - 4 - 5 - A - Z
12 (4) A / 250 VAC
T125/55 °C
EN 61058

16 A / 125 VAC
 10 A / 250 VAC
 T105 °C
 UL1054

2

Drawing 2
Function 2 - 8
12 (4) A / 250 VAC
T125/55 °C
EN 61058

12 A - 125 / 250 VAC
 T125 °C
 UL 1054

BODY COLOUR

1 black

2 white

X custom

ROCKER COLOUR

1 black

2 white

ILLUMINATED ✨

G red

E green

H orange

F blue

X custom

MARKING COLOUR

0 none

1 black

2 white

X custom

MARKING

0

1

3

9

L

X