



RMASK

TYPICAL APPLICATIONS	Steam cleaners, ironing generators
FUNCTIONS	<ul style="list-style-type: none"> ■ SPST, illuminated ■ DPST, illuminated or not
CYCLE No.	50.000
CUT OUT	ø 20 mm
AMBIENT TEMPERATURE	125 °C
GWT	850 °C
GWT NO FLAME (<2sec)	750 °C

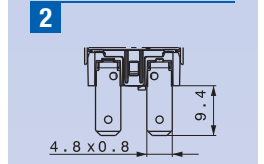
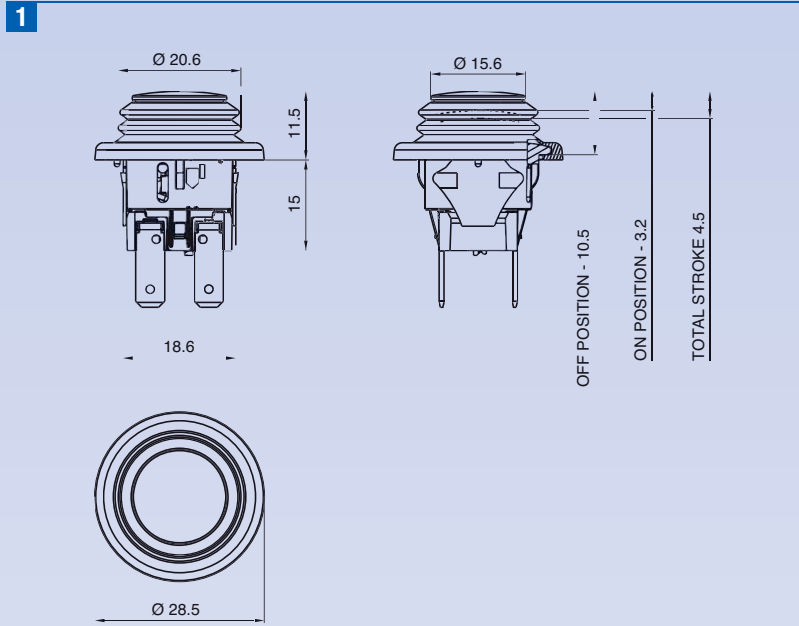


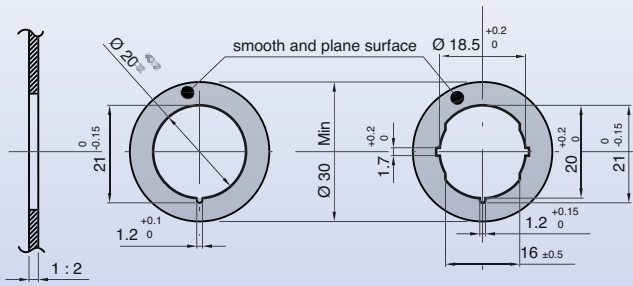
R M A S K ?

?

DRAWING

TERMINAL





DRAWING	TERMINAL	FUNCTION	RATING	RUBBER COLOUR	BUTTON COLOUR
R	M	A	S	K	0 0 0 0 0

?	?	?	?	0	0	0	0	0
---	---	---	---	---	---	---	---	---

FUNCTION **RATING** **RUBBER COLOUR** **BUTTON COLOUR**

2

6

8

C

16 (6) A / 250 VAC
 12 (10) A / 250 VAC
 8 (8) A / 250 VAC - 5E4
 T125 / 55 °C
 EN 61058

16 A / 125 VAC
 16 A / 250 VAC
 1 / 2 HP - 125 VAC
 3 / 4 HP - 250 VAC
 T65 °C (T100 °C on demand)
 UL 1054

1

black

N

black

M

white

ILLUMINATED ✨

E

green

F

blue

G

red

H

orange

X

custom

Empty selection area for function, rating, rubber color, and button color.