

Polyamide CABLE GLANDS for Industrial Application



Glands

Cable Gland Assembling	4
Plug Assembling	5
Standard Glands	6 - 9
Snap-In Glands	10 - 11
Cable Protection Glands	12 - 15
Elbow Glands	16
RJ-45 Glands	17
Quick Fitting Glands	18
NDL Glands	19
Conus Glands Metric Version	20
Conus Glands PG Version	21



Polyamide ACCESSORIES for Industrial Application

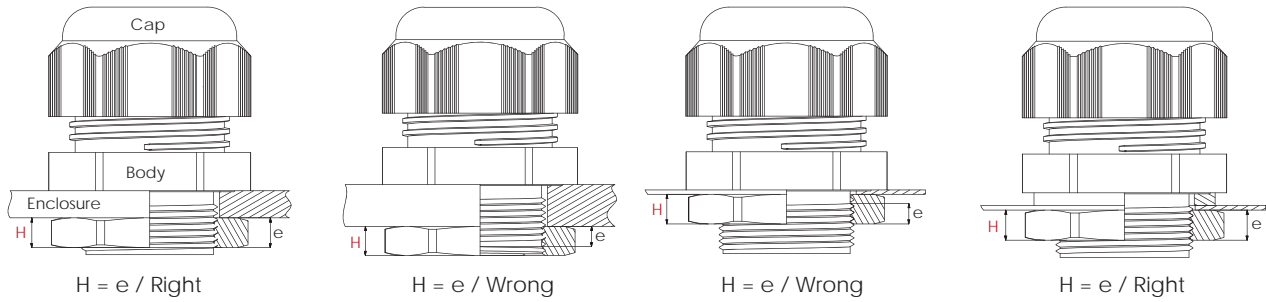


Accessories

Lock Nuts, Flanged	22
Lock Nuts, without Flange	23
Plugs, Round	24
Plugs, Hexagonal	25
Plugs, Modular	26
Plugs, Dome	27
Further Accessories	28
Applications	29

Cable Gland Assembling Instruction

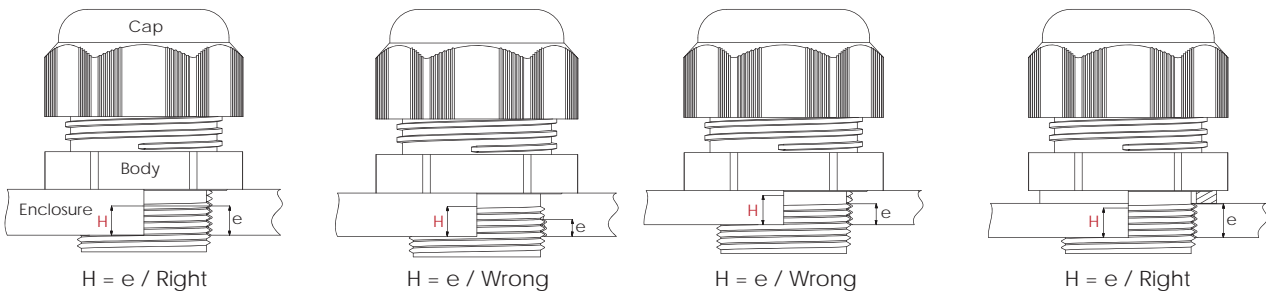
Assembling with lock nut on **non threaded** enclosure



Relevant Lock Nut Thickness		
Size		H (±0,5 mm)
M12 to M16	Pg 7 to Pg 11	5,0
M20 to M25	Pg 13,5 to Pg 16	6,0
M32 to M40	Pg 21 to Pg 29	7,0
M50 to M63	Pg 36 to Pg 42	8,0



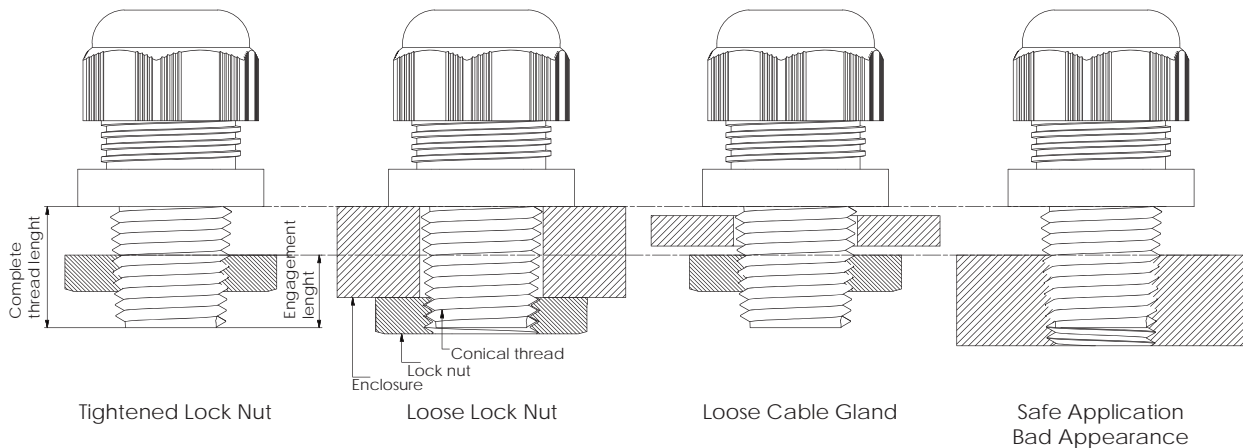
Assembling with lock nut on **threaded** enclosure



Complementary Instruction

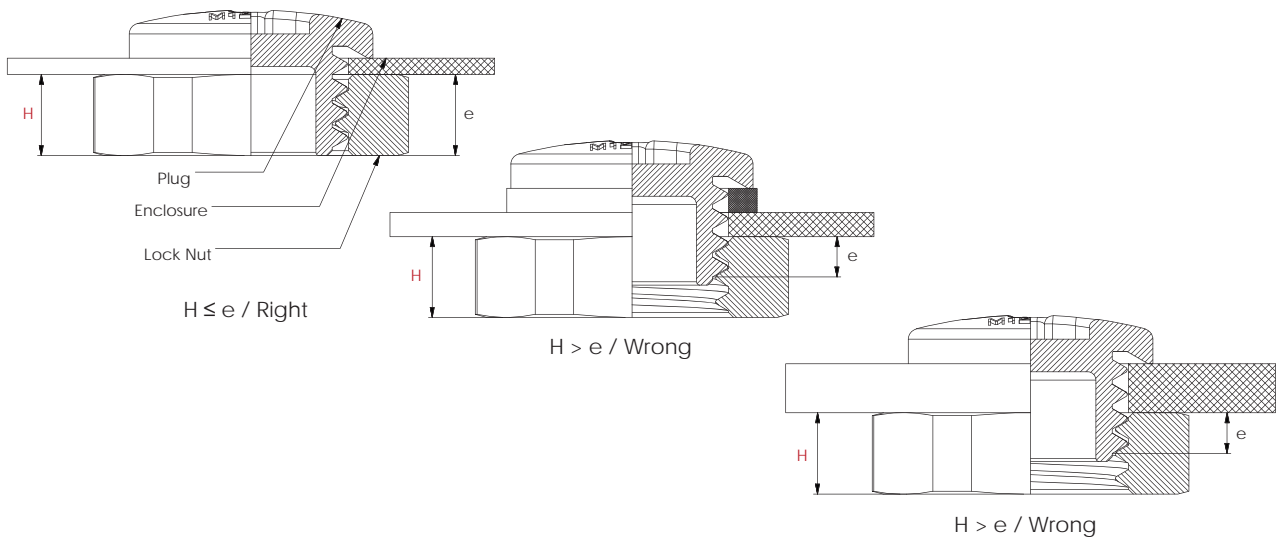
- The engaged thread length "e" must be equal or longer than relevant lock nut thickness "H"
- The thread dimensions and tolerances on threaded enclosures must be convenient with the relevant thread standard.
- Firstly, the gland body must be mounted to the enclosure.
- The body or the lock nut must be tightened according to torque indicated on the instruction chart.
- As much as possible double wrench have to be used for non threaded enclosures.
- For cable assembling the cap must be tightened according to torque indicated on the instruction chart.
- During the cable assembling or disassembling gland body must be keep fixed. Double wrench have to be used for this purpose.

Npt threads application



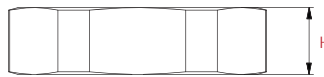
Thread standard	ANSI B1.20.1
Thread name	National Pipe Threads
Thread definition	NPT is an US Standard for "Tapered Threads" used in threaded pipes and fittings. The thread can provide an effective seal for liquids, gases, hydraulic, fluids and steam. They are used generally for steel, brass, cast-iron, PTFE, PVC, PA materials.
Other Appellations	MPT : Male Pipe Threads FPT : Female Pipe Threads
Applications	The NPT threads are always used for male and female pipe / fitting joints. Regarding the conicity of the thread they are not suitable for lock-nut applications.
"Cable Glands" and "Electrical Fitting" applications	The NPT threaded cable glands or male threaded electrical fittings as reducers, blind stops etc must used a NPT female threaded enclosures or cabinets. The usage of lock nuts for NPT threads is not a recommended application. According the relevant standard, the male and female threads have a defined engagement length. When we use a lock nut (even if is NPT threaded), we know that this one will be blocked, after the defined length portion of the male thread. In result we can not be sure that this blocking distance will be suitable for the wall thickness of the enclosure or cabinet. If we are using an equivalent parallel thread lock nut the result will be worst because the male and female thread, will not be in complete contact.

Assembling with lock nut on **non threaded** enclosure

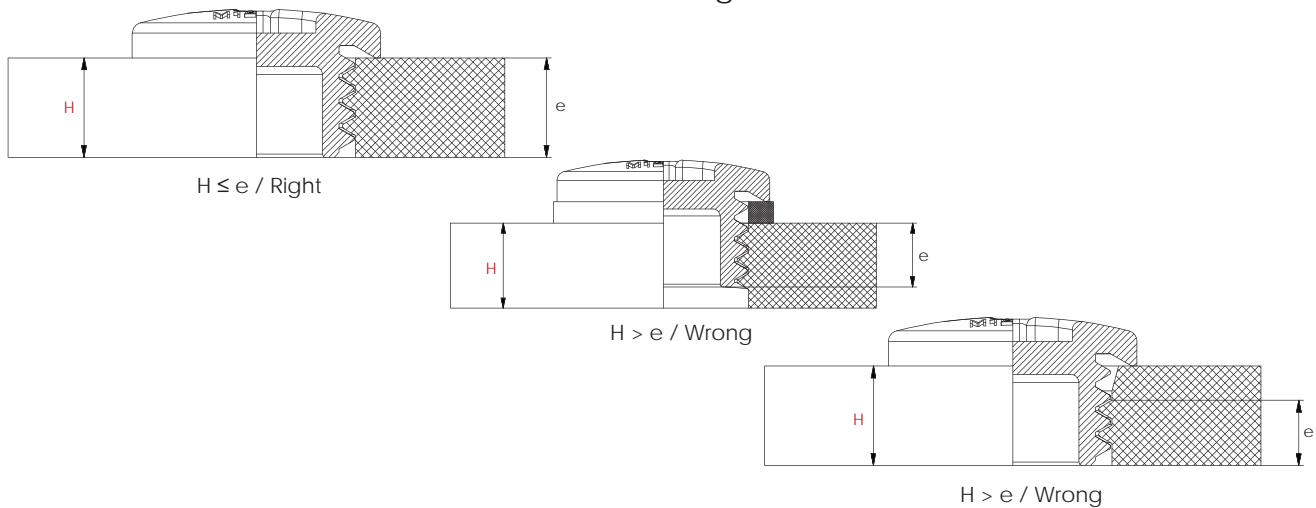


Relevant Lock Nut Thickness

Size	H ($\pm 0,5$ mm)
M12 to M16 Pg 7 to Pg 11	5,0
M20 to M25 Pg 13,5 to Pg 16	6,0
M32 to M40 Pg 21 to Pg 29	7,0
M50 to M63 Pg 36 to Pg 42	8,0



Assembling with lock nut on **threaded** enclosure



Complementary Instructions:

- The engaged thread length "e" must be equal or longer than relevant lock nut thickness "H"
- The thread dimensions and tolerances on threaded enclosures must be convenient with the relevant thread standard.
- Firstly, the blind stop must be mounted to the enclosure.
- The blind stop or the lock nut must be tightened according to torque indicated on the instruction chart.
- As much as possible double tool have to be used for non threaded enclosures. (Screw driver+wrench)

Standard Glands with Thread, Polyamide

MOS





Polyamide cable glands with lamellar clamping

- For standard industrial applications.
- Easy assembly: install cable gland - insert cable - tighten cap.
- High quality strain relief and sealing, reliable performance for standard industrial applications.
- Up-to-date international approvals.

Technical Details

Material	Body	PA 6 (Polyamide 6)	
	Cap	PA 6 (Polyamide 6)	
	Seal	CR (Chloroprene Rubber)	
Protection Class	IP 68 - 5 Bar, 30 min IP 66		
Flammability	V2 according to UL94		
Operating Temperature	Permanent	-20 °C to +100 °C	Intermittent
			-30 °C to +150 °C
Thread Type	<ul style="list-style-type: none"> • Metric EN 60423 • PG DIN 40430 • NPT ANSI B1.20.1 • Gas ISO 228 • Other thread types also available upon request. 		
Cable Type	Non armoured		
Accessories	<ul style="list-style-type: none"> • Lock nuts • Dome plugs • Reducing seals • Flat cable seals • Multihole seals • Gaskets 		
Remarks	<ul style="list-style-type: none"> • Different sealing types available. • Manufactured according to DIN EN 62444/50262. • We recommend the use of lock nuts and gaskets to ensure IP rating for rough surfaces or through holes. <p>Note: Applications of most cable glands don't require same parameters applied to tests. For applications strictly acc. to the approval definitions please consult data sheet.</p> <p>Other colours on request:</p> <ul style="list-style-type: none"> • RAL 5015 (blue) • RAL 9003 (white) • RAL 3020 (red) 		

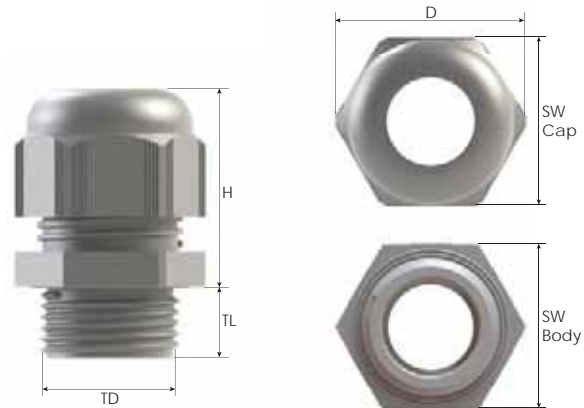
Approvals

	Certificate Number	Standards
	134171	acc. to DIN EN 62444
	115116_0_000	acc. to CSA C22.2
	E199260	acc. to UL514
	SERCOVAM RES 107572	acc. to UL514B §8.26.7

Some approvals do not cover all sizes or colours. For more approvals: see our webpage.



Standard Glands with Thread, Polyamide



Thread Type **METRIC** acc. to EN 60423

Size	Clamping Range Ø min-max mm	Thread Length TL mm	Thread Ø TD mm	Spanner SW Cap mm	Width SW Body mm	Outer Ø D mm	max. Height H mm	Part Number			Packing Unit
								RAL 7035 light grey	RAL 7001 grey	RAL 9005 black	
M12x1,5	2,0 - 5,0	8	12	15	15	16,9	22,5	BI-1S	BI-0S	BI-2S	100
		10						BM-EN-1SMR	BM-EN-0SMR	BM-EN-2SMR	
		15						BM-EN-1SRL	BM-EN-0SRL	BM-EN-2SRL	
	3,0 - 6,5	8						BM-1S	BM-0S	BM-2S	
		10						BM-EN-1SM	BM-EN-0SM	BM-EN-2SM	
		15						BM-EN-1SL	BM-EN-0SL	BM-EN-2SL	
M16x1,5	2,0 - 6,0	8	16	19	19	21,9	26,5	BM-EN-11R	BM-EN-01R	BM-EN-21R	50
		10						BM-EN-11MR	BM-EN-01MR	BM-EN-21MR	
		15						BM-EN-11LR	BM-EN-01LR	BM-EN-21LR	
		15						BI-11	BI-01	BI-21	
	3,0 - 7,0	10		BM-EN-11	BM-EN-01	BM-EN-21					
		15		BM-EN-11M	BM-EN-01M	BM-EN-21M					
		8		BM-EN-11L	BM-EN-01L	BM-EN-21L					
		15		BM-11	BM-01	BM-21					
	4,0 - 8,0	10		BM-11L	BM-01L	BM-21L					
		15		BM-11	BM-01	BM-21					
		8		BM-11L	BM-01L	BM-21L					
		15		BM-11	BM-01	BM-21					
5,0 - 10,0	10	BM-11L	BM-01L	BM-21L							
	15	BM-11	BM-01	BM-21							
	10	BI-12	BI-02	BI-22							
	5,0 - 9,0	15	BI-12L	BI-02L	BI-22L						
		10	BM-12	BM-02	BM-22						
	15	BM-12L	BM-02L	BM-22L							
M20x1,5	5,0 - 9,0	10	20	24	24	27,0	29,5	BI-12	BI-02	BI-22	50
		15						BI-12L	BI-02L	BI-22L	
	6,0 - 12,0	10		BM-12	BM-02	BM-22					
		15		BM-12L	BM-02L	BM-22L					
	7,0 - 12,0	10		BI-13	BI-03	BI-23					
		15		BI-14	BI-04	BI-24					
7,0 - 13,0	10	BM-EN-12S	BM-EN-02S	BM-EN-22S							
	15	BM-13	BM-03	BM-23							
10,0 - 14,0	10	BM-14	BM-04	BM-24							
	15	BM-14	BM-04	BM-24							
M25x1,5	9,0 - 13,0	8	25	29	29	32,5	35,0	BM-EN-13R	BM-EN-03R	BM-EN-23R	50
		15						BM-EN-13RL	BM-EN-03RL	BM-EN-23RL	
		10						BI-15	BI-05	BI-25	
	9,0 - 16,0	15		BI-16	BI-06	BI-26					
		8		BM-EN-13	BM-EN-03	BM-EN-23					
		15		BM-EN-13L	BM-EN-03L	BM-EN-23L					
11,0 - 17,0	10	BM-15	BM-05	BM-25							
	15	BM-16	BM-06	BM-26							
	8	BM-EN-14R	BM-EN-04R	BM-EN-24R							
M32x1,5	11,0 - 15,0	10	32	36	36	41,0	42,0	BM-EN-14RL	BM-EN-04RL	BM-EN-24RL	20
		15						BI-17	BI-07	BI-27	
	12,0 - 20,0	10		BM-EN-14	BM-EN-04	BM-EN-24					
		15		BM-EN-14L	BM-EN-04L	BM-EN-24L					
	15,0 - 21,0	10		BM-17	BM-07	BM-27					
		15		BM-17	BM-07	BM-27					
M40x1,5	16,0 - 23,0	10	40	46	46	52,4	47,0	BM-EN-15R	BM-EN-05R	BM-EN-25R	20
		15						BM-EN-15MR	BM-EN-05MR	BM-EN-25MR	
		18						BM-EN-15RL	BM-EN-05RL	BM-EN-25RL	
	19,0 - 28,0	10		BM-EN-15	BM-EN-05	BM-EN-25					
		15		BM-EN-15M	BM-EN-05M	BM-EN-25M					
		18		BM-EN-15L	BM-EN-05L	BM-EN-25L					
20,0 - 26,0	10	BI-18	BI-08	BI-28							
	15	BI-18	BI-08	BI-28							
M50x1,5	25,0 - 31,0	10	50	60	60	67,8	53,0	BI-19	BI-09	BI-29	10
	30,0 - 38,0	15						BM-19	BM-09	BM-29	
M63x1,5	29,0 - 35,0	10	63	65	65	72,9	53,0	BI-20	BI-10	BI-30	10
	34,0 - 44,0	15						BM-20	BM-10	BM-30	
M75x2,0	48,0 - 55,0	10	75,0	75	80	89,0	55,0	BM-B12	BM-B02	BM-B22	5

Standard Glands with Thread, Polyamide

MOS





Polyamide cable glands with lamellar clamping

- For standard industrial applications.
- Easy assembly: install cable gland - insert cable - tighten cap.
- High quality strain relief and sealing, reliable performance for standard industrial applications.
- Up-to-date international approvals.

Technical Details

Material	Body	PA 6 (Polyamide 6)	
	Cap	PA 6 (Polyamide 6)	
	Seal	CR (Chloroprene Rubber)	
Protection Class	IP 68 - 5 Bar, 30 min IP 66		
Flammability	V2 according to UL94		
Operating Temperature	Permanent	-20 °C to +100 °C	Intermittent
			-30 °C to +150 °C
Thread Type	<ul style="list-style-type: none"> • Metric EN 60423 • PG DIN 40430 • NPT ANSI B1.20.1 • Gas ISO 228 • Other thread types also available upon request. 		
Cable Type	Non armoured		
Accessories	<ul style="list-style-type: none"> • Lock nuts • Dome plugs • Reducing seals • Flat cable seals • Multihole seals • Gaskets 		
Remarks	<ul style="list-style-type: none"> • Different sealing types available. • Manufactured according to DIN EN 62444/50262. • We recommend the use of lock nuts and gaskets to ensure IP rating for rough surfaces or through holes. <p>Note: Applications of most cable glands don't require same parameters applied to tests. For applications strictly acc. to the approval definitions please consult data sheet.</p> <p>Other colours on request:</p> <ul style="list-style-type: none"> • RAL 5015 (blue) • RAL 9003 (white) • RAL 3020 (red) 		

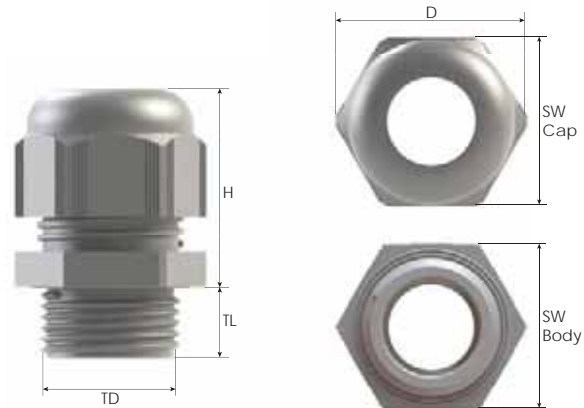
Approvals

	Certificate Number	Standards
	134171	acc. to DIN EN 62444
	115116_0_000	acc. to CSA C22.2
	E199260	acc. to UL514
	SERCOVAM RES 107572	acc. to UL514B §8.26.7

Some approvals do not cover all sizes or colours. For more approvals: see our webpage.



Standard Glands with Thread, Polyamide



Thread Type NPT acc. to ANSI B1.20.1

Size	Clamping Range Ø min-max		Thread Length TL		Thread Ø TD		Spanner Width				Outer Ø D		max. Height H		RAL 7035 light grey	Part Number			Packing Unit
	mm	Inch	mm	Inch	mm	Inch	SW Cap mm	Inch	SW Body mm	Inch	mm	Inch	mm	Inch		RAL 7001 grey	RAL 9005 black		
NPT 3/8"	3,0 - 7,0	0,118 - 0,276	15	0,591	17,14	0,675	22	0,866	22	0,866	25,0	0,984	29,0	1,141	BSPA-11R	BSPA-01R	BSPA-21R	50	
	5,0 - 10,0	0,197 - 0,394					24	0,945	24	0,945	27,0	1,063	29,0	1,141	BSPA-11	BSPA-01	BSPA-21		
NPT 1/2"	5,0 - 9,0	0,197 - 0,354	15	0,591	21,34	0,840	24	0,945	24	0,945	27,0	1,063	29,0	1,141	BSPB-12R	BSPB-02R	BSPB-22R	50	
	6,0 - 12,0	0,236 - 0,472					27	1,063	27	1,063	30,9	1,217	31,0	1,220	BSPB-12	BSPB-02	BSPB-22		
	7,0 - 12,0	0,276 - 0,472	11	0,433	11	0,433	30,9	1,217	31,0	1,220	BSPC-12R	BSPC-02R	BSPC-22R						
NPT 3/4"	9,0 - 16,0	0,354 - 0,630	15	0,591	26,67	1,050	33	1,299	33	1,299	38,0	1,496	37,0	1,456	BSPD-13R	BSPD-03R	BSPD-23R	25	
	13,0 - 18,0	0,512 - 0,709					33	1,299	33	1,299	47,3	1,862	41,0	1,614	BSPD-13	BSPD-03	BSPD-23		
NPT 1"	12,0 - 20,0	0,472 - 0,787	18	0,709	33,40	1,315	42	1,654	42	1,654	47,3	1,862	41,0	1,614	BSP-14R	BSP-04R	BSP-24R	20	
	18,0 - 25,0	0,709 - 0,984					42	1,654	42	1,654	47,3	1,862	41,0	1,614	BSP-14	BSP-04	BSP-24		

Thread Type PG acc. to DIN 40430

Size	Clamping Range Ø min-max		Thread Length TL		Thread Ø TD		Spanner Width				Outer Ø D		max. Height H		RAL 7035 light grey	Part Number			Packing Unit
	mm	mm	mm	mm	mm	mm	SW Cap mm	SW Body mm	mm	mm	mm	mm	mm	mm		RAL 7001 grey	RAL 9005 black		
PG 7	2,0 - 5,0		8		12,5		15	15	16,9		22,0			BSR-11	BSR-01	BSR-21	100		
	3,0 - 6,5						15	15	16,9		22,0			BS-11	BS-01	BS-21			
PG 9	2,0 - 6,0		8		15,2		19	19	21,9		26,5			BSR-12	BSR-02	BSR-22	50		
	4,0 - 8,0						19	19	21,9		26,5			BS-12	BS-02	BS-22			
PG 11	3,0 - 7,0		8		18,6		22	22	25,0		29,0			BSR-13	BSR-03	BSR-23	50		
	5,0 - 10,0						22	22	25,0		29,0			BS-13	BS-03	BS-23			
PG 13,5	5,0 - 9,0		10		20,4		24	24	27,0		29,0			BSR-14	BSR-04	BSR-24	50		
	6,0 - 12,0						24	24	27,0		29,0			BS-14	BS-04	BS-24			
PG 16	7,0 - 12,0		10		22,5		27	27	30,9		31,0			BSR-15	BSR-05	BSR-25	50		
	10,0 - 14,0						27	27	30,9		31,0			BS-15	BS-05	BS-25			
PG 21	9,0 - 16,0		11		28,3		33	33	38,0		37,0			BSR-16	BSR-06	BSR-26	25		
	13,0 - 18,0						33	33	38,0		37,0			BS-16	BS-06	BS-26			
PG 29	12,0 - 20,0		11		37,0		42	42	47,3		41,0			BSR-17	BSR-07	BSR-27	20		
	18,0 - 25,0						42	42	47,3		41,0			BS-17	BS-07	BS-27			
PG 36	20,0 - 26,0		13		47,0		53	53	60,0		51,5			BSR-18	BSR-08	BSR-28	10		
	22,0 - 32,0						53	53	60,0		51,5			BS-18	BS-08	BS-28			
PG 42	25,0 - 31,0		13		54,0		60	60	67,8		53,5			BSR-19	BSR-09	BSR-29	10		
	30,0 - 38,0						60	60	67,8		53,5			BS-19	BS-09	BS-29			
PG 48	29,0 - 35,0		14		59,3		65	65	72,9		53,5			BSR-20	BSR-10	BSR-30	10		
	34,0 - 44,0						65	65	72,9		53,5			BS-20	BS-10	BS-30			

Thread Type G acc. to DIN ISO 228

Size	Clamping Range Ø min-max		Thread Length TL		Thread Ø TD		Spanner Width				Outer Ø D		max. Height H		RAL 7035 light grey	Part Number			Packing Unit
	mm	mm	mm	mm	mm	mm	SW Cap mm	SW Body mm	mm	mm	mm	mm	mm	mm		RAL 7001 grey	RAL 9005 black		
G 1/4"	2,0 - 5,0		10		13,160		15	15	16,9		23,0			BPFR-1S	BPFR-0S	BPFR-2S	100		
	3,0 - 6,5						15	15	16,9		23,0			BPF-1S	BPF-0S	BPF-2S			
G 3/8"	3,0 - 7,0		11		16,662		22	22	25,0		29,0			BPFR-11	BPFR-01	BPFR-21	50		
	5,0 - 10,0						22	22	25,0		29,0			BPF-11	BPF-01	BPF-21			
G 1/2"	5,0 - 9,0		10		20,955		24	24	27,0		29,0			BPFR-12	BPFR-02	BPFR-22	50		
	6,0 - 12,0						24	24	27,0		29,0			BPF-12	BPF-02	BPF-22			
	7,0 - 12,0		11	0,955	27	30,9	31,0			BPFR-13	BPFR-03	BPFR-23							
G 3/4"	9,0 - 16,0		12		26,441		33	33	38,0		37,5			BPFR-14	BPFR-04	BPFR-24	25		
	13,0 - 18,0						33	33	38,0		37,5			BPF-14	BPF-04	BPF-24			
G 1"	12,0 - 20,0		13		33,249		42	42	47,3		41,5			BPFR-15	BPFR-05	BPFR-25	20		
	18,0 - 25,0						42	42	47,3		41,5			BPF-15	BPF-05	BPF-25			

Snap-In Glands without thread, Polyamide

MOS




Polyamide cable glands, front-side assembly, without thread

- Specially designed cable glands - easy to assemble to housings without threaded holes.
- Easy assembly: push cable gland and turn body clockwise - insert cable - tighten cap.
- Perfectly fit to wall thickness 0,5 mm to 4,0 mm.
- High quality strain relief and sealing, reliable performance for standard industrial applications.
- Easy disassembly (with separate tool).

Technical Details

Material	Body	PA 6 (Polyamide 6)	
	Lower Body	PA 6 (Polyamide 6)	
	Cap	PA 6 (Polyamide 6)	
	Seal	CR (Chloroprene Rubber)	
Protection Class	IP 68 - 5 Bar, 30 min IP 66		
Flammability	V2 according to UL94		
Operating Temperature	Permanent	-20 °C to +100 °C	Intermittent
			-30 °C to +150 °C
Thread Type	<ul style="list-style-type: none"> • Metric EN 60423 • Other thread types also available upon request. 		
Cable Type	Non armoured		
Accessories	<ul style="list-style-type: none"> • Dome plugs • Reducing seals • Flat cable seals • Multihole seals • Disassembly tools (one piece included per packing unit) 		
Remarks	<ul style="list-style-type: none"> • Different sealing types available. • Manufactured according to DIN EN 62444/50262. Note: Applications of most cable glands don't require same parameters applied to tests. For applications strictly acc. to the approval definitions please consult data sheet. Other colours on request: <ul style="list-style-type: none"> • RAL 5015 (blue) • RAL 9003 (white) • RAL 3020 (red) 		

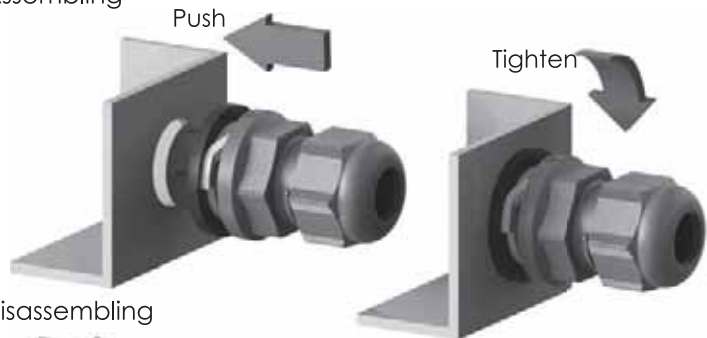
Approvals

	Certificate Number	Standards
	134171	acc. to DIN EN 62444
	E199260	acc. to UL 514B
	SERCOVAM RES 107572	acc. to UL514B §8.26.7

Some approvals do not cover all sizes or colours. For more approvals: see our webpage.



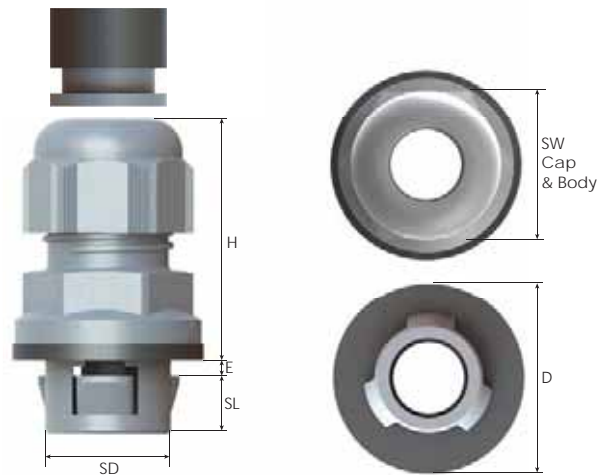
Assembling



Disassembling

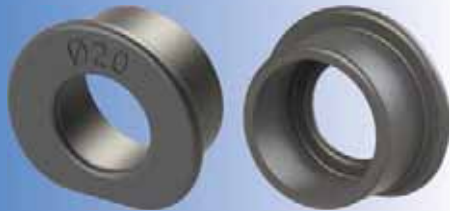


Snap-In Glands without thread, Polyamide



wall thickness (E) : 0,5 - 4,0 mm

Size	Outer Seal Ø min-max mm	Double Seal Ø min-max mm	Snap Length SL mm	Snap Ø SD mm	Hole Ø HD mm	Spanner SW Cap mm	Width SW Body mm	Outer Ø D mm	max. Height H mm	Part Number			Packing Unit
										RAL 7035 light grey	RAL 7001 grey	RAL 9005 black	
16	5,0 - 10,0	-	9,0	15,9	16,2 - 16,4	22	22	26,5	42,5	BMOS-11	BMOS-01	BMOS-21	100
		3,0 - 7,0								BMOS-DS-11	BMOS-DS-01	BMOS-DS-21	
20	6,0 - 12,0	-	9,0	19,9	20,2 - 20,4	24	24	30,3	41,5	BMOS-12	BMOS-02	BMOS-22	50
		5,0 - 9,0								BMOS-DS-12	BMOS-DS-02	BMOS-DS-22	
	7,0 - 13,0	-				25	25	41,5	BMOS-EU-12	BMOS-EU-02	BMOS-EU-22		
		3,0 - 7,0				BMOS-EU-DS-12	BMOS-EU-DS-02		BMOS-EU-DS-22				
25	11,0 - 17,0	-	9,0	24,9	25,2 - 25,4	29	29	36,3	43,5	BMOS-EU-13	BMOS-EU-03	BMOS-EU-23	25
		8,0 - 13,0								BMOS-EU-DS-13	BMOS-EU-DS-03	BMOS-EU-DS-23	
32	15,0 - 21,0	-	9,0	31,9	32,2 - 32,4	36	36	43,2	49,5	BMOS-EU-14	BMOS-EU-04	BMOS-EU-24	25
		11,0 - 16,0								BMOS-EU-DS-14	BMOS-EU-DS-04	BMOS-EU-DS-24	
		-								BMOS-EU-15	BMOS-EU-05	BMOS-EU-25	
40	19,0 - 28,0	-	11,5	39,9	40,2 - 40,4	46	46	55,2	56,0	BMOS-EU-DS-15	BMOS-EU-DS-05	BMOS-EU-DS-25	20
		16,0 - 21,0											



Snap-In Gland Disassembling Tool

Tool to disassemble Snap-In Glands

Technical Details

Material Plastic

Size	ID mm	H mm	Part Number	Packing Unit
16	16,0	13,0	BEX-16	10
20	20,0	13,0	BEX-20	10
25	25,0	13,0	BEX-25	10
32	32,0	13,0	BEX-32	10
40	40,0	15,5	BEX-40	10

Cable Protection Glands Polyamide

MOS







Cable protection glands with lamellar clamping

- For cable bending protection.
- Easy assembly: install cable gland - insert cable - tighten cap.
- High quality strain relief and sealing, reliable performance for standard industrial applications.
- Up-to-date international approvals.

Technical Details

Material	Body	PA 6 (Polyamide 6)	
	Cap	PA 6 (Polyamide 6)	
	Seal	CR (Chloroprene Rubber)	
Protection Class	IP 68 - 5 Bar, 30 min IP 66		
Flammability	V2 according to UL94		
Operating Temperature	Permanent	-20 °C to +100 °C	Intermittent
			-30 °C to +150 °C
Thread Type	<ul style="list-style-type: none"> • Metric EN 60423 • PG DIN 40430 • NPT ANSI B1.20.1 • Gas ISO 228 • Other thread types also available upon request. 		
Cable Type	Non armoured		
Accessories	<ul style="list-style-type: none"> • Lock nuts • Dome plugs • Reducing seals • Flat cable seals • Multihole seals • Gaskets 		
Remarks	<ul style="list-style-type: none"> • Different sealing types available. • Manufactured according to DIN EN 62444/50262. • We recommend the use of lock nuts and gaskets to ensure IP rating for rough surfaces or through holes. • Some approvals do not cover all colours or sizes. <p>Note: Applications of most cable glands don't require same parameters applied to tests. For applications strictly acc. to the approval definitions please consult data sheet.</p> <p>Other colours on request:</p> <ul style="list-style-type: none"> • RAL 5015 (blue) • RAL 9003 (white) • RAL 3020 (red) 		

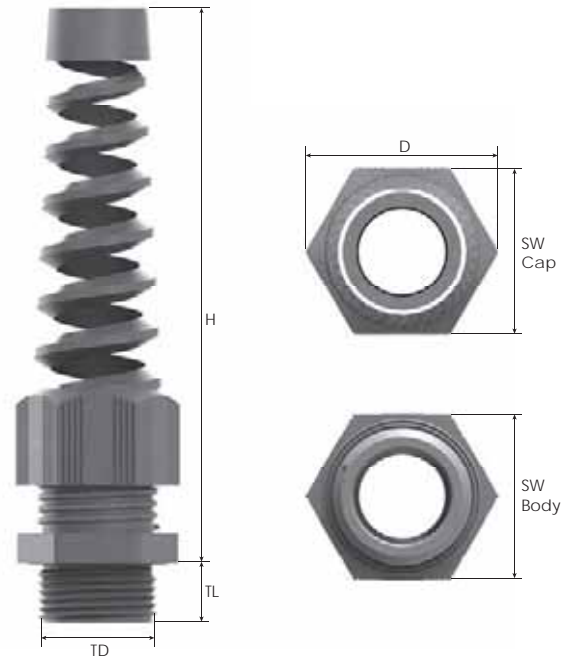
Approvals

	Certificate Number	Standards
	134171	acc. to DIN EN 62444
	115116_0_000	acc. to CSA C22.2
	E199260	acc. to UL514
	SERCOVAM RES 107572	acc. to UL514B §8.26.7

Some approvals do not cover all sizes or colours. For more approvals: see our webpage.



Cable Protection Glands Polyamide



Thread Type **METRIC** acc. to EN 60423

Size	Clamping Range Ø min-max mm	Thread Length TL mm	Thread Ø TD mm	Spanner Width		Outer Ø D mm	max. Height H mm	Part Number			Packing Unit
				SW Cap mm	SW Body mm			RAL 7035 light grey	RAL 7001 grey	RAL 9005 black	
M12x1,5	2,0 - 5,0	8	12,0	15	15	17,1	57,0	BISP-1S	BISP-0S	BISP-2S	100
		10						BISP-1SM	BISP-0SM	BISP-2SM	
		15						BISP-1SL	BISP-0SL	BISP-2SL	
	3,0 - 6,5	8						BMSP-1S	BMSP-0S	BMSP-2S	
		10						BMSP-1SM	BMSP-0SM	BMSP-2SM	
		15						BMSP-1SL	BMSP-0SL	BMSP-2SL	
M16x1,5	3,0 - 7,0	10	16,0	22	22	25,2	81,5	BISP-11	BISP-01	BISP-21	50
		15						BISP-11L	BISP-01L	BISP-21L	
		10						BMSP-11	BMSP-01	BMSP-21	
	5,0 - 10,0	15						BMSP-11L	BMSP-01L	BMSP-21L	
		10						BISP-12	BISP-02	BISP-22	
		15						BISP-12L	BISP-02L	BISP-22L	
M20x1,5	5,0 - 9,0	10	20,0	24	24	26,7	93,0	BMSP-12	BMSP-02	BMSP-22	50
		15						BMSP-12L	BMSP-02L	BMSP-22L	
		10						BISP-13	BISP-03	BISP-23	
	6,0 - 12,0	15		BISP-14	BISP-04	BISP-24					
		10		BMSP-13	BMSP-03	BMSP-23					
		15		BMSP-14	BMSP-04	BMSP-24					
M25x1,5	9,0 - 16,0	10	25,0	33	33	38,0	117,5	BISP-15	BISP-05	BISP-25	25
		15						BISP-16	BISP-06	BISP-26	
		10						BMSP-15	BMSP-05	BMSP-25	
	13,0 - 18,0	15		BMSP-16	BMSP-06	BMSP-26					

Cable Protection Glands Polyamide

MOS





Cable protection glands with lamellar clamping

- For cable bending protection.
- Easy assembly: install cable gland - insert cable - tighten cap.
- High quality strain relief and sealing, reliable performance for standard industrial applications.
- Up-to-date international approvals.

Technical Details

Material	Body	PA 6 (Polyamide 6)	
	Cap	PA 6 (Polyamide 6)	
	Seal	CR (Chloroprene Rubber)	
Protection Class	IP 68 - 5 Bar, 30 min IP 66		
Flammability	V2 according to UL94		
Operating Temperature	Permanent	-20 °C to +100 °C	Intermittent
			-30 °C to +150 °C
Thread Type	<ul style="list-style-type: none"> • Metric EN 60423 • PG DIN 40430 • NPT ANSI B1.20.1 • Gas ISO 228 • Other thread types also available upon request. 		
Cable Type	Non armoured		
Accessories	<ul style="list-style-type: none"> • Lock nuts • Dome plugs • Reducing seals • Flat cable seals • Multihole seals • Gaskets 		
Remarks	<ul style="list-style-type: none"> • Different sealing types available. • Manufactured according to DIN EN 62444/50262. • We recommend the use of lock nuts and gaskets to ensure IP rating for rough surfaces or through holes. • Some approvals do not cover all colours or sizes. <p>Note: Applications of most cable glands don't require same parameters applied to tests. For applications strictly acc. to the approval definitions please consult data sheet.</p> <p>Other colours on request:</p> <ul style="list-style-type: none"> • RAL 5015 (blue) • RAL 9003 (white) • RAL 3020 (red) 		

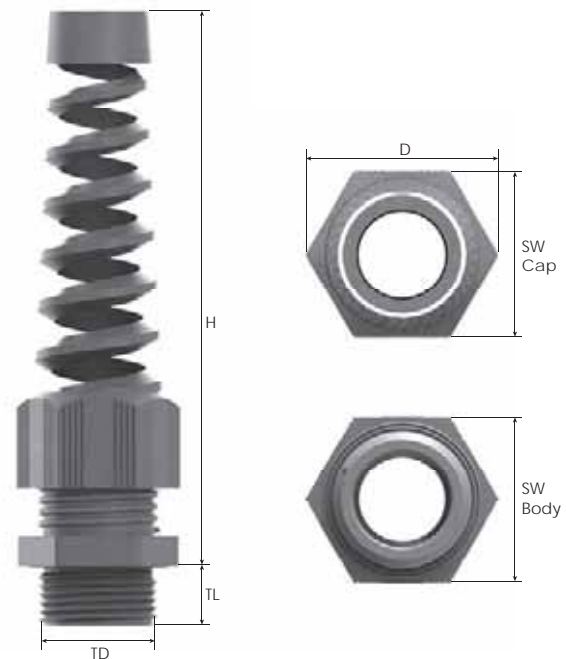
Approvals

	Certificate Number	Standards
	134171	acc. to DIN EN 62444
	115116_0_000	acc. to CSA C22.2
	E199260	acc. to UL514
	SERCOVAM RES 107572	acc. to UL514B §8.26.7

Some approvals do not cover all sizes or colours. For more approvals: see our webpage.



Cable Protection Glands Polyamide



Thread Type NPT acc. to ANSI B1.20.1

Size	Clamping Range Ø min-max		Thread Length TL		Thread Ø TD		Spanner Width				Outer Ø D		max. Height H		RAL 7035 light grey	Part Number			Packing Unit
	mm	inch	mm	inch	mm	inch	SW Cap mm	inch	SW Body mm	inch	mm	inch	mm	inch		RAL 7001 grey	RAL 9005 black		
NPT 3/8"	3,0 - 7,0	0.118 - 0.276	15,0	0.591	17,14	0.673	22	0.866	22	0.866	25,3	0.996	81,5	3.169	BNSPA-11R	BNSPA-01R	BNSPA-21R	50	
	5,0 - 10,0	0.197 - 0.394													BNSPA-11	BNSPA-01	BNSPA-21		
NPT 1/2"	5,0 - 9,0	0.197 - 0.354	15,0	0.591	21,34	0.839	24	0.945	24	0.945	27,6	1.087	93,3	3.720	BNSPB-12R	BNSPB-02R	BNSPB-22R	50	
	6,0 - 12,0	0.236 - 0.472													BNSPB-12	BNSPB-02	BNSPB-22		
	7,0 - 12,0	0.276 - 0.472													BNSPC-12R	BNSPC-02R	BNSPC-22R		
	10,0 - 14,0	0.394 - 0.551													BNSPC-12	BNSPC-02	BNSPC-22		
NPT 3/4"	9,0 - 16,0	0.354 - 0.630	15,0	0.591	26,67	1.051	33	1.299	33	1.299	38,0	1.496	117,9	4.606	BNSPD-13R	BNSPD-03R	BNSPD-23R	25	
	13,0 - 18,0	0.512 - 0.709													BNSPD-13	BNSPD-03	BNSPD-23		

Thread Type PG acc. to DIN 40430

Size	Clamping Range Ø min-max mm		Thread Length TL mm	Thread Ø TD mm	Spanner Width		Outer Ø D mm	max. Height H mm	RAL 7035 light grey	Part Number			Packing Unit
	mm	mm			SW Cap mm	SW Body mm				RAL 7001 grey	RAL 9005 black		
PG 7	2,0 - 5,0	8,0	12,5	15	15	17,2	57,5	BSRP-11	BSP-01	BSP-21	100		
	3,0 - 6,5								BSSP-01	BSSP-21			
PG 9	2,0 - 6,0	8,0	15,2	19	19	21,8	69,4	BSRP-12	BSP-02	BSP-22	50		
	4,0 - 8,0								BSSP-02	BSSP-22			
PG 11	3,0 - 7,0	8,0	18,6	22	22	25,3	81,6	BSRP-13	BSP-03	BSP-23	50		
	5,0 - 10,0								BSSP-03	BSSP-23			
PG 13,5	5,0 - 9,0	10,0	20,4	24	24	27,6	93,5	BSRP-14	BSP-04	BSP-24	50		
	6,0 - 12,0								BSSP-04	BSSP-24			
PG 16	7,0 - 12,0	10,0	22,5	27	27	31,1	106,0	BSRP-15	BSP-05	BSP-25	50		
	10,0 - 14,0								BSSP-05	BSSP-25			
PG 21	9,0 - 16,0	11,0	28,3	33	33	38,0	117,9	BSRP-16	BSP-06	BSP-26	25		
	13,0 - 18,0								BSSP-06	BSSP-26			

Thread Type G acc. to DIN ISO 228

Size	Clamping Range Ø min-max mm		Thread Length TL mm	Thread Ø TD mm	Spanner Width		Outer Ø D mm	max. Height H mm	RAL 7035 light grey	Part Number			Packing Unit			
	mm	mm			SW Cap mm	SW Body mm				RAL 7001 grey	RAL 9005 black					
G 3/8"	3,0 - 7,0	11	16,662	22	22	25,3	80,0	BFSR-11	BFSR-01	BFSR-21	50					
	5,0 - 10,0								BFSR-11	BFSR-01		BFSR-21				
G 1/2"	5,0 - 9,0	10	20,955	24	24	27,6	94,0	BFSR-12	BFSR-02	BFSR-22	50					
	6,0 - 12,0								BFSR-12	BFSR-02		BFSR-22				
	7,0 - 12,0	11							27	27		31,0	105,6	BFSR-13	BFSR-03	BFSR-23
	10,0 - 14,0													BFSR-13	BFSR-03	BFSR-23
G 3/4"	9,0 - 16,0	12	26,441	33	33	38,0	117,5	BFSR-14	BFSR-04	BFSR-24	25					
	13,0 - 18,0								BFSR-14	BFSR-04		BFSR-24				

Elbow Glands Polyamide

Elbow glands with lamellar clamping

- For cables guided along housing side.
- Easy assembly: install cable gland - insert cable - tighten cap.
- High quality strain relief and sealing, reliable performance for standard industrial applications..

Technical Details

Material	Body	PA 6 (Polyamide 6)	
	Cap	PA 6 (Polyamide 6)	
	Seal	CR (Chloroprene Rubber)	
	O-Ring	NBR	
Protection Class	IP 68 - 5 Bar, 30 min IP 66		
Flammability	V2 according to UL94		
Operating Temperature	Permanent	-20 °C to +100 °C	Intermittent
			-30 °C to +150 °C
Thread Type	<ul style="list-style-type: none"> • PG DIN 40430 • Other thread types also available upon request. 		
Cable Type	Non armoured		
Accessories	<ul style="list-style-type: none"> • Lock nuts • Dome plugs • Reducing seals • Flat cable seals • Multihole seals • Gaskets 		
Remarks	<ul style="list-style-type: none"> • Different sealing types available. • Manufactured according to DIN EN 62444/50262. • We recommend the use of lock nuts and gaskets to ensure IP rating for rough surfaces or through holes. 		



MOS



Thread Type PG acc. to DIN 40430

Size	Clamping Range Ø min-max mm	Thread Length TL mm	Thread Ø TD mm	Spanner Width		max. Height H mm	Part Number			Packing Unit
				SW Cap mm	SW Body mm		RAL 7035 light grey	RAL 7001 grey	RAL 9005 black	
PG 7	3,0 - 6,0	8,0	12,5	19	19	26,5	EGR-11	EGR-01	EGR-21	100
	4,0 - 8,0						EG-11	EG-01	EG-21	
PG 9	3,0 - 6,0	7,0	15,2	19	19	28,7	EGR-12	EGR-02	EGR-22	100
	4,0 - 8,0						EG-12	EG-02	EG-22	



Cable glands for RJ 45 cables

- For standard industrial applications using data cables with pre-assembled RJ 45 connectors.
- Easy assembly: feed connector through cable gland - assemble splitted seal around cable - insert seal into gland body - install cable gland - tighten cap.
- High quality strain relief and sealing, reliable performance for standard industrial applications.

Technical Details

Material	Body	PA 6 (Polyamide 6)	
	Cap	PA 6 (Polyamide 6)	
	Seal	CR (Chloroprene Rubber)	
Protection Class	IP 68 - 5 Bar, 30 min		
Flammability	V2 according to UL94		
Operating Temperature	Permanent	-20 °C to +80 °C	
	Intermittent	-30 °C to +150 °C	
Thread Type	<ul style="list-style-type: none"> • Metric EN 60423 • PG DIN 40430 • Other thread types also available upon request. 		
Cable Type	Non armoured		
Accessories	<ul style="list-style-type: none"> • Lock nuts • Dome plugs • Gaskets 		
Remarks	<ul style="list-style-type: none"> • Manufactured according to DIN EN 62444/50262. • We recommend the use of lock nuts and gaskets to ensure IP rating for rough surfaces or through holes. 		



Thread Type METRIC acc. to EN 60423

Size	Clamping Range Ø min-max mm	Thread Length TL mm	Thread Ø TD mm	Spanner SW Cap mm	Width SW Body mm	Outer Diameter D mm	max. Height H mm	Part Number			Packing Unit
								RAL 7035 light grey	RAL 7001 grey	RAL 9005 black	
M20x1,5	6,0	10	20,0	27	24	27,0	29,7	BMRJ-13	BMRJ-03	BMRJ-23	50
		15		27	27	31	31,5	BMRJ-15	BMRJ-05	BMRJ-25	
M25x1,5	6,0	8	25,0	29	29	32,5	30,5	BMRJ-EN-13	BMRJ-EN-03	BMRJ-EN-23	25
		15						BMRJ-EN-13L	BMRJ-EN-03L	BMRJ-EN-23L	
		10		BM-15RJ	BM-05RJ	BM-25RJ					
		15		BM-16RJ	BM-06RJ	BM-26RJ					

Thread Type PG acc. to DIN 40430

Size	Clamping Range Ø min-max mm	Thread Length TL mm	Thread Ø TD mm	Spanner SW Cap mm	Width SW Body mm	Outer Diameter D mm	max. Height H mm	Part Number			Packing Unit
								RAL 7035 light grey	RAL 7001 grey	RAL 9005 black	
PG 16	6	10	22,5	27	27	31,0	31,0	BSRJ-15	BSRJ-05	BSRJ-25	50
PG 21	6	11	28,3	33	33	33,0	35,0	BSRJ-16	BSRJ-06	BSRJ-26	25.

Quick Fitting Glands Polyamide

Cable glands without thread, special designs

- Specially designed cable glands.
- Easy assembly: install cable gland - insert cable - tighten cap.
- High quality strain relief and sealing, reliable performance for standard industrial applications.

Technical Details

Material	Body	PA 6 (Polyamide 6)	
	Cap	PA 6 (Polyamide 6)	
	Seal	CR (Chloroprene Rubber)	
	O-Ring	NBR	
Protection Class	IP 68		
Flammability	V2 according to UL94		
Operating Temperature	Permanent	-20 °C to +100 °C	Intermittent
			-30 °C to +150 °C
Cable Type	Non armoured		
Accessories	• Dome plugs		
	• Reducing seals		
	• Flat cable seals		
	• Multihole seals		
Remarks	• Using O-rings, the available wall thickness is reduced (design type A and C)		
	• Design type B: ask for special cut-out data.		



w/o thread															
Size	Clamping Range Ø min-max mm	Snap Length SL mm	Wall Thickness E mm	Snap Diameter SD mm	Spanner Width		Outer Diameter D mm	max. Height H mm	Body Length		Design Type	Part Number			Packing Unit
					SW Cap mm	SW Body mm			a mm	b mm		RAL 7035 light grey	RAL 7001 grey	RAL 9005 black	
9	2,0 - 6,0	8,0	3,7	12,25	19	19	21,7	25,0	-	-	A	QFR-12	QFR-02	QFR-22	100
	4,0 - 8,0											QF-12	QF-02	QF-22	
16	7,0 - 12,0	5,7	3,2	-	27	-	30,9	30,1	28,2	30,4	B	QFVR-15	QFVR-05	QFVR-25	50
	10,0 - 14,0											QFV-15	QFV-05	QFV-25	
21	9,0 - 16,0	7,5	4,3	26	33	33	37,2	38,0	18,0	2,8	C	QFR-16	QFR-06	QFR-26	25
	13,0 - 18,0											QF-16	QF-06	QF-26	



Polyamide cable glands for limited space applications

- For standard industrial applications.
- Plastic cable glands for limited space applications.
- Easy assembly: install cable gland - insert cable - tighten cap.
- High quality strain relief and sealing, reliable performance for standard industrial applications.

Technical Details

Material	Body	PA 6 (Polyamide 6)	
	Cap	PA 6 (Polyamide 6)	
	Seal	CR (Chloroprene Rubber)	
	O-Ring	NBR	
Protection Class	IP 55		
Flammability	V2 according to UL94		
Operating Temperature	Permanent	-20 °C to +100 °C	Intermittent
			-30 °C to +150 °C
Cable Type	Non armoured		
Accessories	<ul style="list-style-type: none"> • Dome plugs • Gaskets 		



wall thickness (E) : 2,35 mm

Size	Clamping Range Ø min-max mm	Snap Length SL mm	Wall Thickness E mm	Snap Diameter SD mm	Spanner Width		Outer Diameter D mm	max. Height H mm	Part Number	Packing Unit
					SW Cap mm	SW Body mm				
9	4,0 - 8,0	8,0	2,35	11,2	19	-	22,0	29,7	BSND-22(QF) RAL 9005 black	100
11	5,0 - 10,0	8,0	2,35	18,6	22	-	25,0	22,0	BSND-23(QF) RAL 9005 black	50

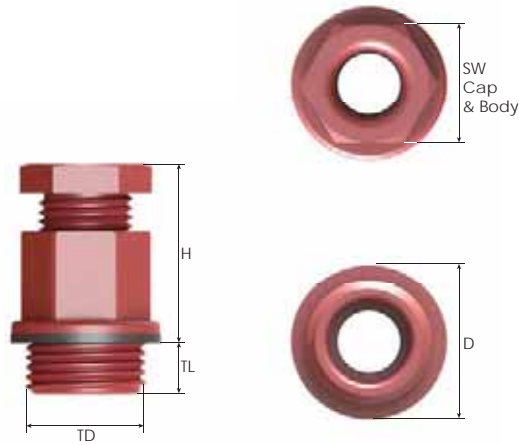
Conus Glands Metric Version, Polyamide

Polyamide cable glands, DIN-type

- For standard industrial applications.
- "DIN"-type design and clamping.
- Easy assembly: install cable gland - insert cable - tighten cap.
- High quality strain relief and sealing, reliable performance for standard industrial applications.

Technical Details

Material	Body	PA 6 (Polyamide 6)	
	Cap	PA 6 (Polyamide 6)	
	Seal	CR (Chloroprene Rubber)	
	Gasket	PA 6 (Polyamide 6)	
Protection Class	IP 68		
Flammability	V2 according to UL94		
Operating Temperature	Permanent	-20 °C to +100 °C	Intermittent
			-30 °C to +150 °C
Thread Type	• Metric EN 60423		
Cable Type	Non armoured		
Accessories	• Lock nuts		
	• Gaskets		
Remarks	• We recommend the use of lock nuts and gaskets to ensure IP rating for rough surfaces or through holes.		



Thread Type METRIC acc. to EN 60423

Size	Clamping Range Ø min-max mm	Thread Length TL mm	Thread Ø TD mm	Spanner SW Cap mm	Width SW Body mm	Outer Diameter D mm	max. Height H mm	Part Number			Packing Unit
								RAL 9005 black	RAL 9003 white	RAL 3020 red	
M20x1,5	7,0 - 10,0	10,0	20,0	19	19	24,7	27,0	BDM-22	BDM-42	BDM-52	100
	10,0 - 13,0			23	23	27,1	30,0	BDM-23	BDM-43	BDM-53	

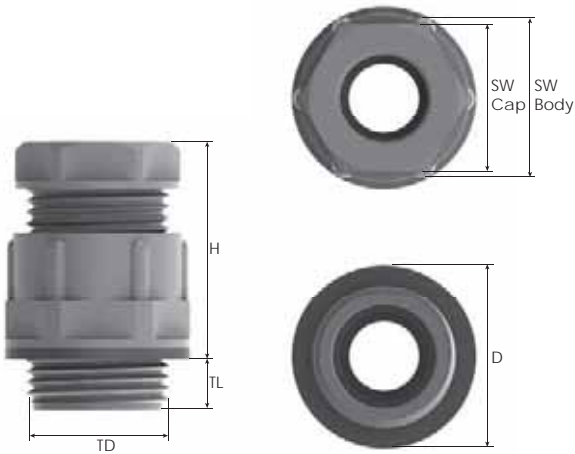


Polyamide cable glands, DIN-type

- For standard industrial applications.
- "DIN"-type design and clamping.
- Easy assembly: install cable gland - insert cable - tighten cap.
- High quality strain relief and sealing, reliable performance for standard industrial applications.

Technical Details

Material	Body	PA 6 (Polyamide 6)
	Cap	PA 6 (Polyamide 6)
	Seal	TPE
	Gasket	PP
Protection Class	IP 54	
Flammability	V2 according to UL94	
Operating Temperature	Permanent	
	-20 °C to +80 °C	
Thread Type	• PG DIN 40430	
Cable Type	Non armoured	
Accessories	• Lock nuts	
	• Gaskets	
Remarks	• We recommend the use of lock nuts and gaskets to ensure IP rating for rough surfaces or through holes.	



Thread Type PG acc. to DIN 40430

Size	Clamping Range Ø min-max mm	Thread Length TL mm	Thread Ø TD mm	Spanner Width		Outer Diameter D mm	max. Height H mm	Part Number RAL 7035 light grey	Packing Unit
				SW Cap mm	SW Body mm				
PG 7	3,0 - 6,0	8,0	12,5	13	15	16,1	22,0	BD-11	100
PG 9	4,5 - 7,0	8,0	15,2	16	19	20,5	23,0	BD-12	100
PG 11	6,0 - 9,0	8,0	18,6	19	22	24,0	25,0	BD-13	100
PG 13,5	9,0 - 12,0	9,0	20,4	21	24	26,2	26,0	BD-14	100
PG 16	11,0 - 14,0	10,0	22,5	23	27	29,4	28,0	BD-15	100
PG 21	14,0 - 18,0	11,0	28,3	30	33	36,3	32,0	BD-16	50
PG 29	18,0 - 25,0	11,0	37,0	40	42	45,5	36,0	BD-17	25
PG 36	25,0 - 32,0	13,0	47,0	49	53	57,8	47,0	BD-18	10

Lock Nuts, Flanged Polyamide

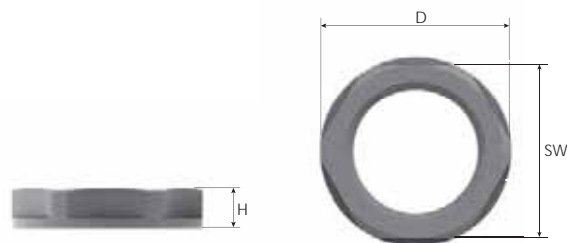
MOS

Lock nuts, flanged

- For standard industrial applications.
- Safe fastening of cable glands.
- Flanged design offers safe sealing.

Technical Details

Material	PA 6 GF 30 (Polyamide 6, 30% Glass Fiber Reinforced)		
Flammability	HB according to UL94		
Operating Temperature	Permanent	Intermittent	
	-20 °C to +100 °C		-30 °C to +150 °C
Thread Type	• Metric EN 60423		
	• NPT ANSI B1.20.1		
	• PG DIN 40430		
	• Gas ISO 228		



Thread Type METRIC acc. to EN 60423

Size	Spanner Width SW		Outer Diameter D		max. Height H		RAL 7035 light grey	Part Number		Packing Unit
	mm		mm		mm			RAL 7001 grey	RAL 9005 black	
M12x1,5	18		19,5		5,0		BML-1S	BML-0S	BML-2S	100
M16x1,5	22		24,2		5,0		BML-11	BML-01	BML-21	50
M20x1,5	26		28,6		6,0		BML-12	BML-02	BML-22	50
M25x1,5	32		35,0		6,0		BML-13	BML-03	BML-23	50
M32x1,5	41		46,1		7,0		BML-14	BML-04	BML-24	25
M40x1,5	50		55,3		7,0		BML-15	BML-05	BML-25	10
M50x1,5	60		66,1		8,0		BML-16	BML-06	BML-26	10
M63x1,5	75		82,5		8,0		BML-17	BML-07	BML-27	10
M75x2,0	85		94,0		15,0		BML-18	BML-08	BML-28	5

Thread Type NPT acc. to ANSI B1.20.1

Size	Spanner Width SW		Outer Diameter D		max. Height H		RAL 7035 light grey	Part Number		Packing Unit
	mm	inch	mm	inch	mm	inch		RAL 7001 grey	RAL 9005 black	
NPT 3/8"	22	0.866	25,0	0.984	7,0	0.276	BPL-11	BPL-01	BPL-21	50
NPT 1/2"	27	1.063	30,5	1.201	7,0	0.276	BPL-12	BPL-02	BPL-22	50
NPT 3/4"	33	1.299	37,5	1.476	7,0	0.276	BPL-13	BPL-03	BPL-23	25
NPT 1"	41	1.614	46,5	1.831	7,0	0.276	BPL-14	BPL-04	BPL-24	20

Thread Type PG acc. to DIN 40430

Size	Spanner Width SW		Outer Diameter D		max. Height H		RAL 7035 light grey	Part Number		Packing Unit
	mm		mm		mm			RAL 7001 grey	RAL 9005 black	
PG 7	19		21,0		5,0		BL-11	BL-01	BL-21	50
PG 9	22		24,0		5,0		BL-12	BL-02	BL-22	50
PG 11	24		26,0		5,0		BL-13	BL-03	BL-23	50
PG 13,5	27		29,0		6,0		BL-14	BL-04	BL-24	50
PG 16	30		33,0		6,0		BL-15	BL-05	BL-25	50
PG 21	36		39,0		7,0		BL-16	BL-06	BL-26	25
PG 29	46		50,0		7,0		BL-17	BL-07	BL-27	20
PG 36	60		66,0		8,0		BL-18	BL-08	BL-28	10
PG 42	65		73,0		8,0		BL-19	BL-09	BL-29	10
PG 48	70		78,0		8,0		BL-20	BL-10	BL-30	10

Thread Type G acc. to DIN ISO 228

Size	Spanner Width SW		Outer Diameter D		max. Height H		RAL 7035 light grey	Part Number		Packing Unit
	mm		mm		mm			RAL 7001 grey	RAL 9005 black	
G 3/8"	22		25,0		5,0		BFL-11	BFL-01	BFL-21	50
G 1/2"	27		30,5		5,0		BFL-12	BFL-02	BFL-22	50
G 3/4"	33		37,5		5,0		BFL-13	BFL-03	BFL-23	25
G 1"	42		47,5		6,0		BFL-14	BFL-04	BFL-24	20

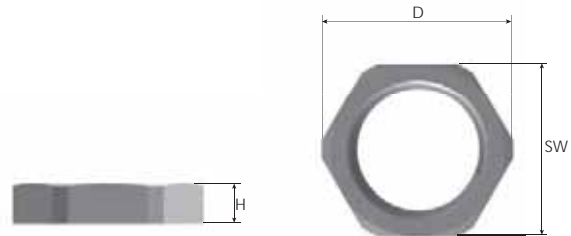


Lock nuts, without flange

- For standard industrial applications.
- Safe fastening of cable glands.

Technical Details

Material	PA 6 GF 30 (Polyamide 6, 30% Glass Fiber Reinforced)	
Flammability	HB according to UL94	
Operating Temperature	Permanent	Intermittent
	-20 °C to +100 °C	-30 °C to +150 °C
Thread Type	<ul style="list-style-type: none"> • Metric EN 60423 • PG DIN 40430 	



Thread Type METRIC acc. to EN 60423

Size	Spanner Width SW mm	Outer Diameter D mm	max. Height H mm	Part Number			Packing Unit
				RAL 7035 light grey	RAL 7001 grey	RAL 9005 black	
M12x1,5	18	19,5	5,0	BLMN-1S	BLMN-0S	BLMN-2S	100
M16x1,5	22	24,2	5,0	BLMN-11	BLMN-01	BLMN-21	50
M20x1,5	26	28,6	6,0	BLMN-12	BLMN-02	BLMN-22	50
M25x1,5	32	35,0	6,0	BLMN-13	BLMN-03	BLMN-23	50
M32x1,5	41	46,1	7,0	BLMN-14	BLMN-04	BLMN-24	25
M40x1,5	50	55,3	7,0	BLMN-15	BLMN-05	BLMN-25	10
M50x1,5	60	66,1	8,0	BLMN-16	BLMN-06	BLMN-26	10
M63x1,5	75	82,5	8,0	BLMN-17	BLMN-07	BLMN-27	10

Thread Type PG acc. to DIN 40430

Size	Spanner Width SW mm	Outer Diameter D mm	max. Height H mm	Part Number			Packing Unit
				RAL 7035 light grey	RAL 7001 grey	RAL 9005 black	
PG 7	19	21,0	5,0	BLN-11	BLN-01	BLN-21	100
PG 9	22	24,0	5,0	BLN-12	BLN-02	BLN-22	100
PG 11	24	26,0	5,0	BLN-13	BLN-03	BLN-23	50
PG 13,5	27	29,0	6,0	BLN-14	BLN-04	BLN-24	50
PG 16	30	33,0	6,0	BLN-15	BLN-05	BLN-25	50
PG 21	36	39,0	7,0	BLN-16	BLN-06	BLN-26	25
PG 29	46	50,0	7,0	BLN-17	BLN-07	BLN-27	25
PG 36	60	66,0	8,0	BLN-18	BLN-08	BLN-28	25
PG 42	65	72,0	8,0	BLN-19	BLN-09	BLN-29	10
PG 48	70	78,0	8,0	BLN-20	BLN-10	BLN-30	10

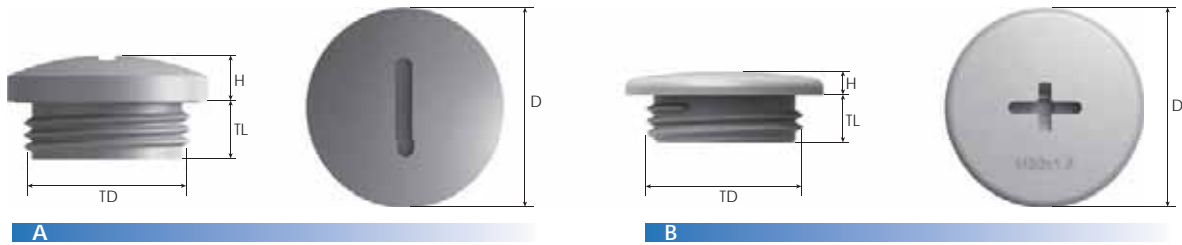
Plugs, Round Polyamide

Plugs, round

- For standard industrial applications.
- Sealing of housing hole when no cable gland is used.
- Slotted version to fasten with screw driver.
- Crossed version for Phillips screw driver.

Technical Details

Material	Body	PA 6 (Polyamide 6)	
	O-ring	CR (Chloroprene Rubber)	
	Gasket	CR (Chloroprene Rubber)	
Flammability	V2 according to UL94		
Operating Temperature	Permanent	-20 °C to +100 °C	Intermittent
			-30 °C to +150 °C
Thread Type	<ul style="list-style-type: none"> • Metric EN 60423 • PG DIN 40430 		
	<ul style="list-style-type: none"> • Lock nuts 		
Remarks	• We recommend the use of lock nuts and gaskets to ensure IP rating for rough surfaces or through holes.		

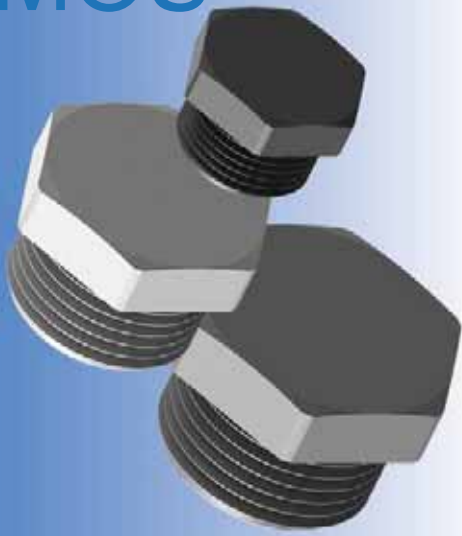


Thread Type METRIC acc. to EN 60423

Size	Thread Length TL mm	Thread Ø TD mm	Outer Ø D mm	max. Height H mm	Part Number			Plug Type	Sealing Type	Packing Unit
					RAL 7035 light grey	RAL 7001 grey	RAL 9005 black			
M12x1,5	6,0	12,0	15,0	3,0	BMBS-1S(Y+)	BMBS-0S(Y+)	BMBS-2S(Y+)	B	O-ring	100
				4,5	BMBS-1S(Y)	BMBS-0S(Y)	BMBS-2S(Y)	A		
M16x1,5	7,0 10,0	16,0	19,5	3,0	BMBS-11(Y+)	BMBS-01(Y+)	BMBS-21(Y+)	B	O-ring	50
				4,5	BMBS-11(Y)	BMBS-01(Y)	BMBS-21(Y)	A		
				3,0	BMBS-11(Y+TL10)	BMBS-01(Y+TL10)	BMBS-21(Y+TL10)	B		
M20x1,5	6,0 7,0 10,0	20,0	25,0	3,0	BMBS-12(Y+)	BMBS-02(Y+)	BMBS-22(Y+)	B	O-ring	50
				5,5	BMBS-12(Y)	BMBS-02(Y)	BMBS-22(Y)	A		
				3,0	BMBS-12(Y+TL10)	BMBS-02(Y+TL10)	BMBS-22(Y+TL10)	B		
M25x1,5	6,0 10,0	25,0	30,0	4,0	BMBS-13(Y+)	BMBS-03(Y+)	BMBS-23(Y+)	B	O-ring	50
				5,0	BMBS-13(Y)	BMBS-03(Y)	BMBS-23(Y)	A		
M32x1,5	8,0	32,0	37,0	4,0	BMBS-14(Y+)	BMBS-04(Y+)	BMBS-24(Y+)	B	O-ring	25
				6,0	BMBS-14(Y)	BMBS-04(Y)	BMBS-24(Y)	A		
M40x1,5	6,0 8,0	40,0	46,5	6,5	BMBS-15(Y)	BMBS-05(Y)	BMBS-25(Y)	A	O-ring	10
				4,3	BMBS-15(Y+)	BMBS-05(Y+)	BMBS-25(Y+)	B		
M50x1,5	10,0	50,0	56,0	4,0	BMBS-16(Y)	BMBS-06(Y)	BMBS-26(Y)	A	O-ring	10
				5,5	BMBS-16(Y+)	BMBS-06(Y+)	BMBS-26(Y+)	B		

Thread Type PG acc. to DIN 40430

Size	Thread Length TL mm	Thread Ø TD mm	Outer Ø D mm	max. Height H mm	Part Number			Plug Type	Sealing Type	Packing Unit
					RAL 7035 light grey	RAL 7001 grey	RAL 9005 black			
PG 7	6,0	12,5	15,0	2,0	BBS-11(Y)	BBS-01(Y)	BBS-21(Y)	A	O-ring	100
				3,0	BBS-11(Y+)	BBS-01(Y+)	BBS-21(Y+)	B		
PG 9	6,0	15,2	19,0	2,5	BBS-12(Y)	BBS-02(Y)	BBS-22(Y)	A	O-ring	100
				3,0	BBS-12(Y+)	BBS-02(Y+)	BBS-22(Y+)	B		
PG 11	6,0	18,6	22,0	2,5	BBS-13(Y)	BBS-03(Y)	BBS-23(Y)	A	O-ring	50
				3,0	BBS-13(Y+)	BBS-03(Y+)	BBS-23(Y+)	B		
PG 13,5	6,0	20,4	25,0	2,5	BBS-14(Y)	BBS-04(Y)	BBS-24(Y)	A	O-ring	50
				3,0	BBS-14(Y+)	BBS-04(Y+)	BBS-24(Y+)	B		
PG 16	6,0	22,5	27,0	3,0	BBS-15(Y)	BBS-05(Y)	BBS-25(Y)	A	O-ring	50
				3,7	BBS-15(Y+)	BBS-05(Y+)	BBS-25(Y+)	B		
PG 21	8,0	28,3	33,0	4,0	BBS-16(Y)	BBS-06(Y)	BBS-26(Y)	A	O-ring	25
				3,7	BBS-16(Y+)	BBS-06(Y+)	BBS-26(Y+)	B		
PG 29	8,0	37,0	44,0	3,5	BBS-17(Y)	BBS-07(Y)	BBS-27(Y)	A	O-ring	25
				5,0	BBS-17(Y+)	BBS-07(Y+)	BBS-27(Y+)	B		
PG 36	10,0	47,0	55,0	4,0	BBS-18(Y)	BBS-08(Y)	BBS-28(Y)	A	O-ring	25
				5,0	BBS-18(Y+)	BBS-08(Y+)	BBS-28(Y+)	B		



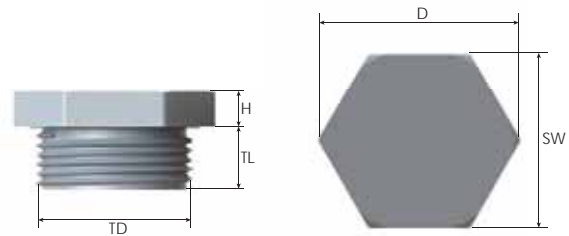
Plugs, Hexagonal Polyamide

Plugs, hexagonal

- For standard industrial applications.
- Sealing of housing hole when no cable gland is used.
- Hexagonal version to fasten with spanner.

Technical Details

Material	PA 6 (Polyamide 6)	
Flammability	V2 according to UL94	
Operating Temperature	Permanent	Intermittent
	-20 °C to +100 °C	-30 °C to +150 °C
Thread Type	• Metric EN 60423	
Accessories	• Lock nuts • Gaskets	
Remarks	• We recommend the use of lock nuts and gaskets to ensure IP rating for rough surfaces or through holes.	



Thread Type METRIC acc. to EN 60423

Size	Thread Length TL mm	Thread Ø TD mm	Spanner Width SW mm	Outer Ø D mm	max. Height H mm	Part Number			Packing Unit
						RAL 7035 light grey	RAL 7001 grey	RAL 9005 black	
M12x1,5	10	12,0	15	17,0	5,0	BMBS-15(A)	BMBS-05(A)	BMBS-25(A)	100
M16x1,5	12	16,0	19	22,0	4,3	BMBS-11(A)TL12	BMBS-01(A)TL12	BMBS-21(A)TL12	50
	15					BMBS-11(A)TL15	BMBS-01(A)TL15	BMBS-21(A)TL15	
M20x1,5	11	20,0	23	26,0	6,0	BMBS-12(A)TL11	BMBS-02(A)TL11	BMBS-22(A)TL11	50
	15					BMBS-12(A)TL15	BMBS-02(A)TL15	BMBS-22(A)TL15	
M25x1,5	10	25,0	28	32,0	5,8	BMBS-13(A)TL10	BMBS-03(A)TL10	BMBS-23(A)TL10	25
	15					BMBS-13(A)TL15	BMBS-03(A)TL15	BMBS-23(A)TL15	
M32x1,5	15	32,0	36	41,5	7,8	BMBS-14(A)	BMBS-04(A)	BMBS-24(A)	25
M40x1,5	18	40,0	46	53,0	8,5	BMBS-15(A)	BMBS-05(A)	BMBS-25(A)	10
M50x1,5	18	50,0	55	63,5	9,5	BMBS-16(A)	BMBS-06(A)	BMBS-26(A)	10
M63x1,5	18	63,0	69	80,0	9,5	BMBS-17(A)	BMBS-07(A)	BMBS-27(A)	10

Modular Plugs Polyamide

MOS


Polyamide plugs, front-side assembly, without thread

- For standard industrial applications.
- Snap-in assembly for non-threaded holes.
- Lock nuts have threads acc. to EN 60423 (metric) and acc. to DIN 40430 (PG).
- Replacing the modular plug: lock nut can be used for fixing the cable gland.

Technical Details

Material	Body	PA 6 (Polyamide 6)	
	Gasket	CR (Chloroprene Rubber)	
	Lock Nut	PA 6 GF 30 (Polyamide 6, 30% Glass Fiber Reinforced)	
Flammability	V2 according to UL94		
Protection Class	IP 68 - 5 Bar, 30 min		
Operating Temperature	Permanent	-20 °C to +100 °C	Intermittent
			-30 °C to +150 °C
Remarks	Other colours on request: <ul style="list-style-type: none"> • RAL 5015 (blue) • RAL 9003 (white) • RAL 3020 (red) 		

Approvals

	Certificate Number	Standards
	SERCOVAM RES 107572	acc. to UL514B §8.26.7



without thread - wall thickness : 0,5 - 2,0 mm

Size	Snap Length SL mm	Snap Ø SD mm	Hole Ø HD mm	Spanner Width SW mm	Outer Ø D mm	max. Height H mm	Part Number			Packing Unit
							RAL 7035 light grey	RAL 7001 grey	RAL 9005 black	
M12	9,0	12,6	12,2 - 12,4	18	19,7	10,5	BMPL-1S	BMPL-0S	BMPL-2S	50
M20	9,0	20,6	20,2 - 20,4	26	28,8	12,0	BMPL-12	BMPL-02	BMPL-22	30
M32	9,0	32,6	32,2 - 32,4	41	46,3	14,0	BMPL-14	BMPL-04	BMPL-24	20
PG 16	9,0	22,8	22,7 - 22,9	30	33,2	12,0	BSPL-15	BSPL-05	BSPL-25	30

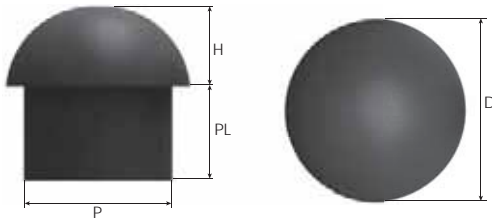


Plugs for sealing cable insert

- For standard industrial applications.
- Sealing of cable glands when no cable is used.

Technical Details

Material	PA 6 (Polyamide 6)	
Flammability	V2 acc. to UL94	
Operating Temperature	Permanent	Intermittend
	-20 °C to +100 °C	-30 °C to +150 °C



Dome plugs

Size	Plug Ø P mm	Dome Ø D mm	Plug Length PL mm	max. Height H mm	Dome Plug fits into Clamping Range Ø min-max				RAL 7035 light grey	Part Number RAL 7001 grey	RAL 9005 black	Packing Unit
					Standard Seal mm	Reducing Seal mm	Double Seal mm	Outer Seal mm				
9	4,0	9,2	12,0	4,0	3,0 - 6,5	2,0 - 5,0	2,0 - 4,0	3,0 - 6,5	BDP-09-11	BDP-09-01	BDP-09-21	100
	6,4											
11	5,0	10,5	14,0	5,0	4,0 - 8,0	2,0 - 6,0	3,0 - 5,0	4,0 - 8,0	BDP-11-11	BDP-11-01	BDP-11-21	50
	8,0		13,7	4,7								
13	7,0	13,3	15,0	5,7	5,0 - 10,0	3,0 - 7,0	3,0 - 7,0	5,0 - 10,0	BDP-13-11	BDP-13-01	BDP-13-21	50
	9,7		9,0	5,3								
16	7,0	15,8	14,0	7,5	6,0 - 12,0	5,0 - 9,0	4,0 - 7,0	6,0 - 12,0	BDP-16-10	BDP-16-00	BDP-16-20	50
	8,5		13,0	7,7								
18	12,0	18,0	14,0	7,5	7,0 - 13,0	7,0 - 12,0	7,0 - 11,0	7,0 - 13,0	BDP-16-12	BDP-16-02	BDP-16-22	50
	13,0		13,5	8,5								
20	11,0	20,0	14,5	7,0	10,0 - 14,0	9,0 - 13,0	8,0 - 13,0	10,0 - 14,0	BDP-18-11	BDP-18-01	BDP-18-21	50
	13,6											
22	13,0	22,0	14,5	7,0	11,0 - 17,0	11,0 - 15,0	9,0 - 14,0	11,0 - 17,0	BDP-20-11	BDP-20-01	BDP-20-21	50
	16,4											
24	14,0	24,0	14,0	9,5	13,0 - 18,0	11,0 - 15,0	9,0 - 14,0	13,0 - 18,0	BDP-22-11	BDP-22-01	BDP-22-21	25
	17,8											
29	16,1	24,0	15,5	9,0	15,0 - 21,0	12,0 - 20,0	11,0 - 16,0	15,0 - 21,0	BDP-24-11	BDP-24-01	BDP-24-21	25
	20,4											
32	20,3	28,5	15,0	9,7	18,0 - 25,0	12,0 - 20,0	13,0 - 20,0	18,0 - 25,0	BDP-29-11	BDP-29-01	BDP-29-21	25
	25,0											
37	21,1	31,5	15,8	9,2	19,0 - 28,0	16,0 - 23,0	16,0 - 21,0	19,0 - 28,0	BDP-32-11	BDP-32-01	BDP-32-21	10
	27,5											
45	26,3	36,8	17,0	10,7	22,0 - 32,0	20,0 - 26,0	20,0 - 26,0	22,0 - 32,0	BDP-37-11	BDP-37-01	BDP-37-21	10
	31,8											
52	31,2	43,3	20,2	11,9	30,0 - 38,0	25,0 - 31,0	21,0 - 31,0	30,0 - 38,0	BDP-45-11	BDP-45-01	BDP-45-21	10
	38,0											
52	35,2	51,0	22,5	16,0	34,0 - 44,0	29,0 - 35,0	27,0 - 35,0	34,0 - 44,0	BDP-52-11	BDP-52-01	BDP-52-21	10
	44,2											

Further Accessories Polyamide

Replacement Seals

Reducing Seals



132

Double Seals



133

Flat Cable Seals



134

Multihole Seals



135-136

Gaskets

Gaskets



137

Brushless / DC Motors



Junction Boxes



Compressor



Voltage Cabinet



Pipe Lamp



Data Transmission



Plastic and Metal Enclosures



Electro Powered Cranes



Invertors



Plug Connectors



Spring Operated Brakes



Transducers



Machine Tools

