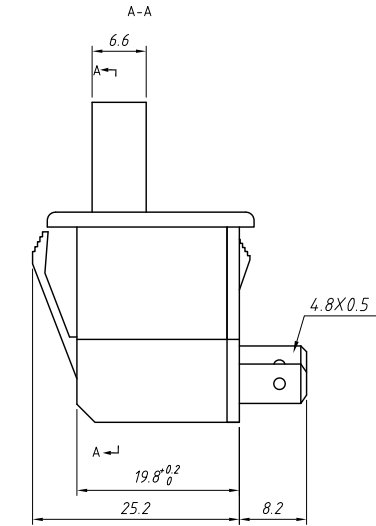
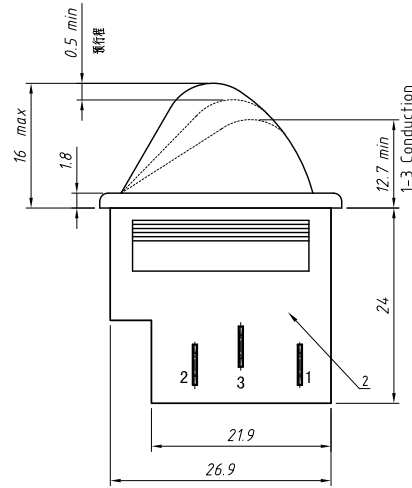
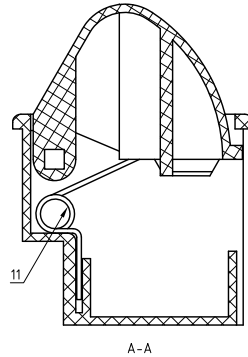
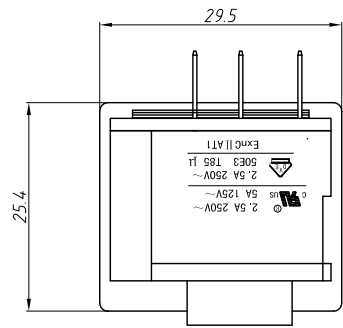
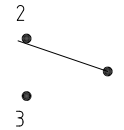


1 2 3 4 5 6 7 8 9 10 11 12 13 14 15 16 17 18

A
B
C
D
E
F
G
H
I
J
K
L



电路图
Circuit Diagram

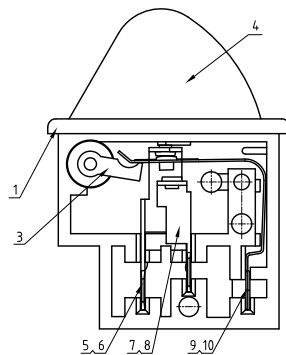


No	零件名称 PART-NAME	MATERIAL AND SPEC.	QTY	REMARK
1	底座 CASE	PA66	1	WHITE
2	盖板 COVER	PA66	1	WHITE
3	轴 SHAFT	PC	1	
4	按钮 BUTTON	PA66	1	WHITE
5	静触点1 FIX-TERMINAL 1	BRASS	1	
6	静触点 FIX-CONTACT	AgNi10/Cu	1	
7	静触点2 FIX-TERMINAL 2	BRASS	1	
8	静触点 FIX-CONTACT	AgNi10/Cu	1	
9	动触点 MOVING TAB	QSn6.5	1	
10	动触点 MOVE-CONTACT	AgNi10/Cu	1	
11	扭簧 SPRING	1Cr18Ni9	1	

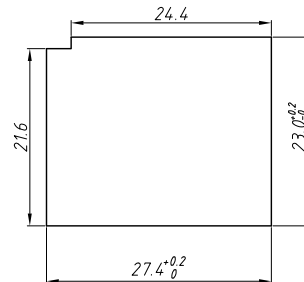
NOTES:

- No obvious defects on the switch surface. Marks clear. Color of appearance should accord with requirement of the customer.
- Rated: 2.5A250VAC
5A125VAC
- Contact resistance $\leq 50m\Omega$
- Insulated resistance $\geq 100M\Omega$
- Dielectric strength: applying ac 50Hz 1800V/3s, no flashover or breakdown.
- Service life: Under rated loading, at the frequency of 30 cycles 1 minute operating 100,000 cycles, switches are conducted normally.

Removed the cover

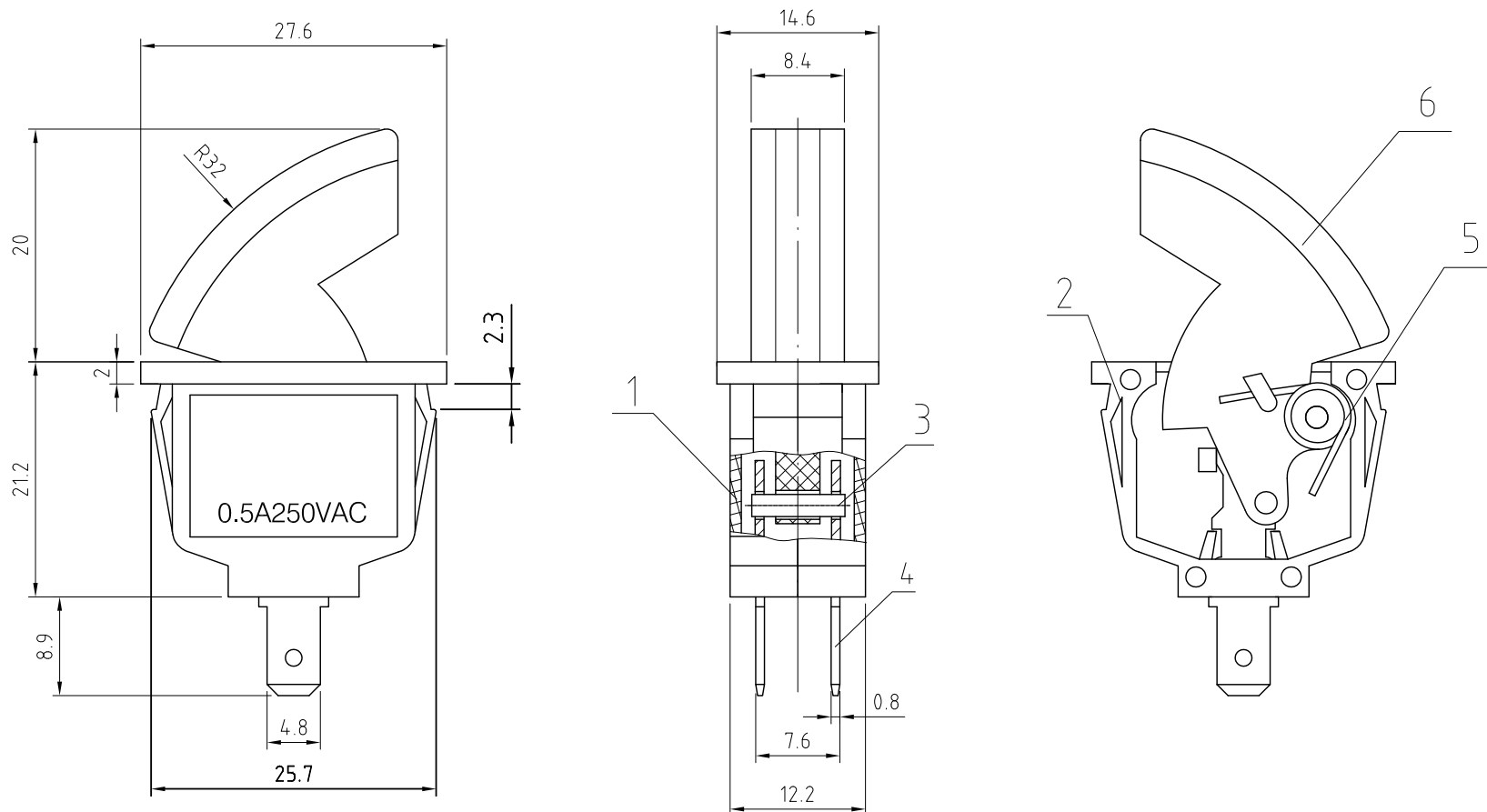


安装孔尺寸
Installation Hole (t=2mm)



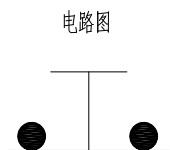
Packing Directive	Technical Directive	Allowed Tolerances	Surface	Format A3 CAD	
Checking Directive	Part name	Material		Scale	
Missing Details	Weight	Control dimensions		Class	
First Application	must be validated expressly		Designation		
	Date	Name		DOOR SWITCH KLHC-050K.4	
	DR. 11/09/2015	周志			
	CK. 11/09/2015	周祥全			
	APP. 11/09/2015	曹美夫		Number 8101078	
Rev.	Change No.	DR.	Valid	CK.	Supers.NO.
Kalle Electronics Technology Co., Ltd.				Tiff Index	

1 2 3 4 5 6 7 8 9 10 11 12 13 14 15 16 17 18



Technlacl Requirement

Rating 0.5A 250VAC
 Contact force: $\leq 50m\ \Omega$
 Insulation Resistance: $\geq 100M\ \Omega$ 500VDC
 Electrical Life: 50000 cycles



6		按钮	1	PA66			
5		扭簧	1	1Cr18Ni9			
4		插片	2	H62Y2			镀银
3		连接销	1	H62Y2			镀银
2		底座B	1	PA66			
1		底座A	1	PA66			
序号	代号	名称	数量	材料	单件重量	总计重量	备注

				总装图				 Kalle Electronics Technology Co.,Ltd	
标记	处数	更改文件号	签字	日期	阶段	标记	数量		
设计			标准化		S	A	B	1	2:1
校对			审定		共 1 页 第 1 页				
审核					图形识别符号				
工艺			日期						

KLHC-050K.3-00

5399-36041123700

技术参数

额定值

0.5A 250VAC

接触电阻

$\leq 50\text{m}\Omega$

绝缘电阻

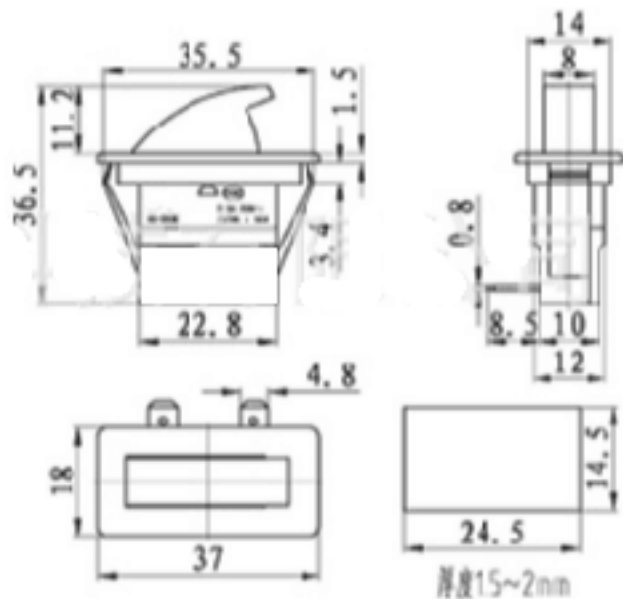
$\geq 100\text{M}\Omega$

介电强度

1500VAC/1min

电气寿命

10000次



技术参数

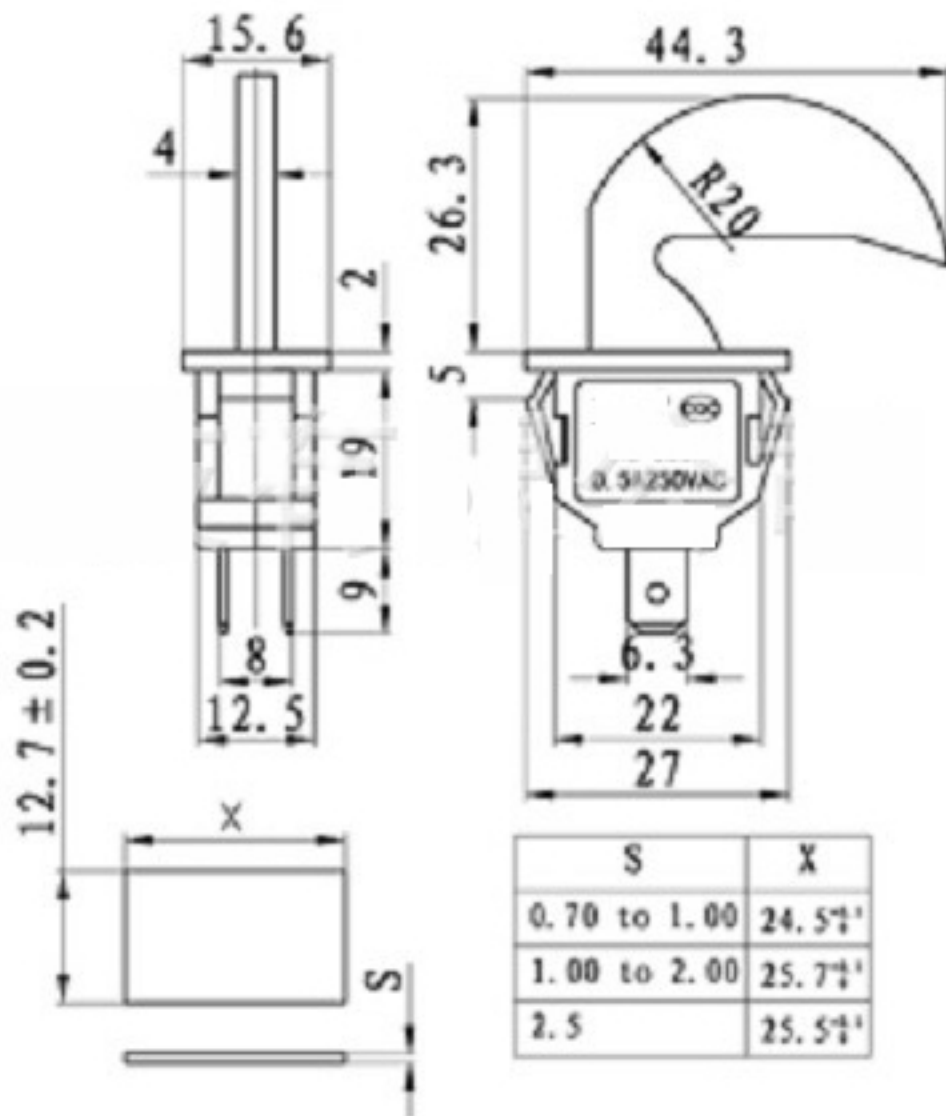
额定值 0.5A 250VAC

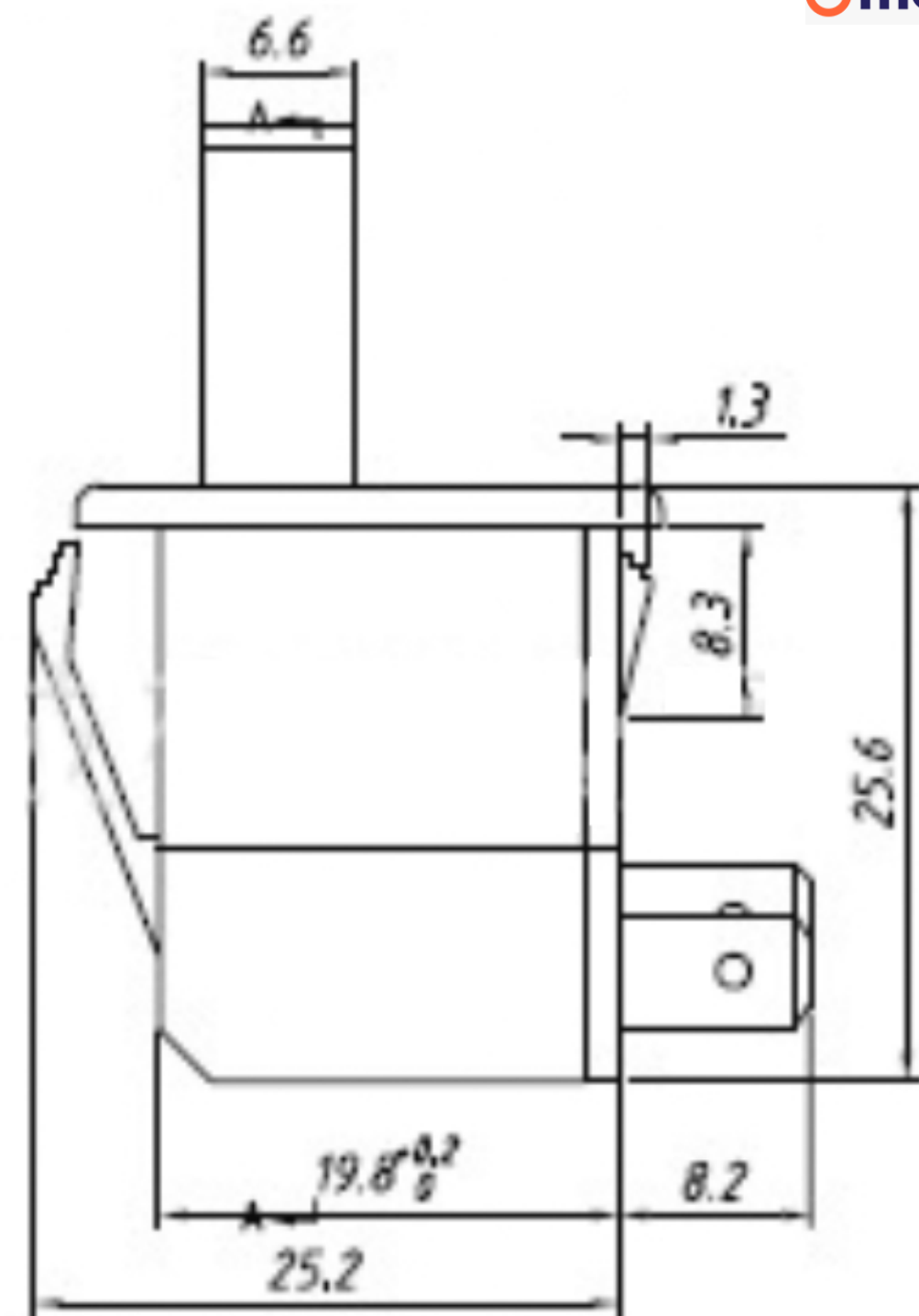
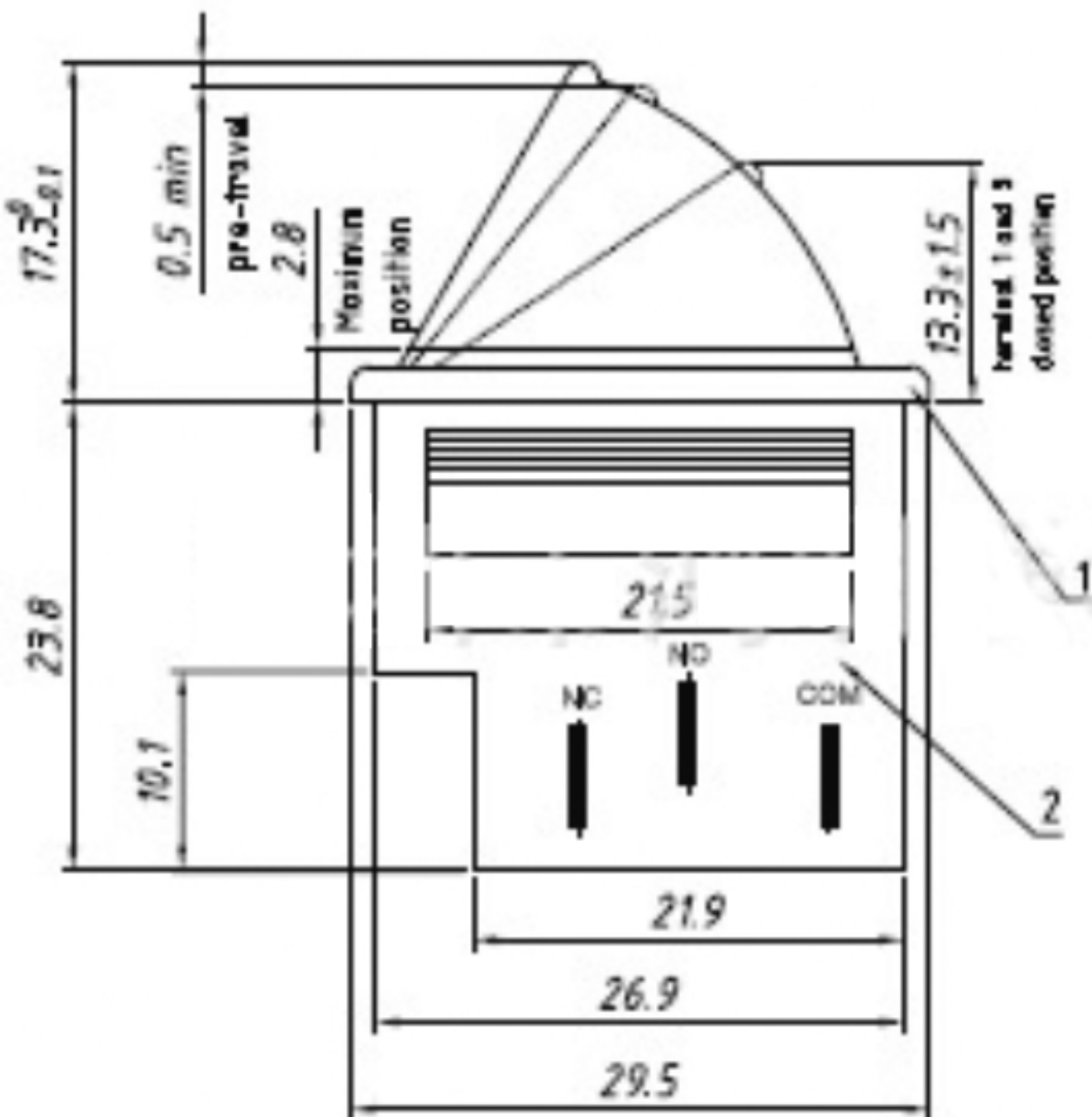
接触电阻 $\leq 50\text{m}\Omega$

绝缘电阻 $\geq 100\text{M}\Omega$

介电强度 1500VAC/1min

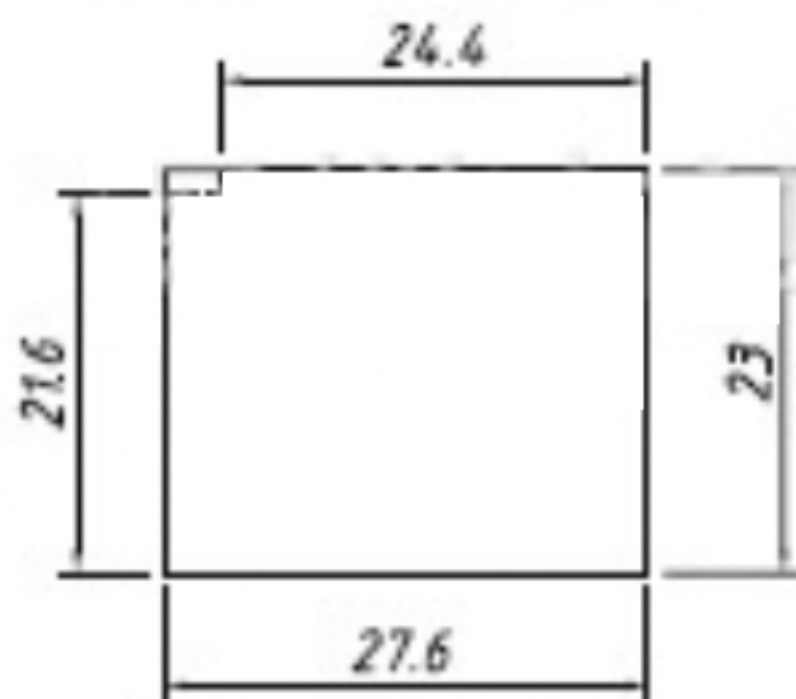
电气寿命 10000次





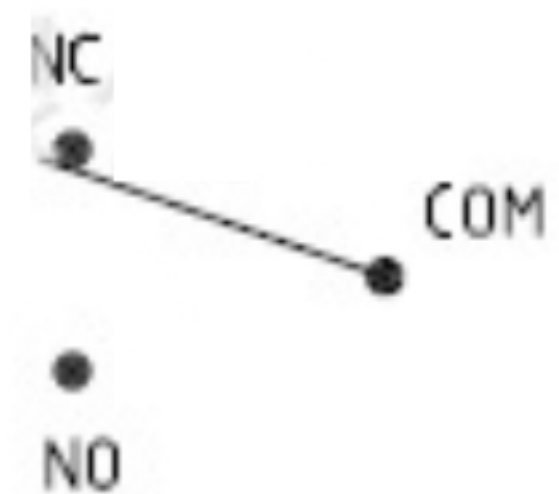
安装孔

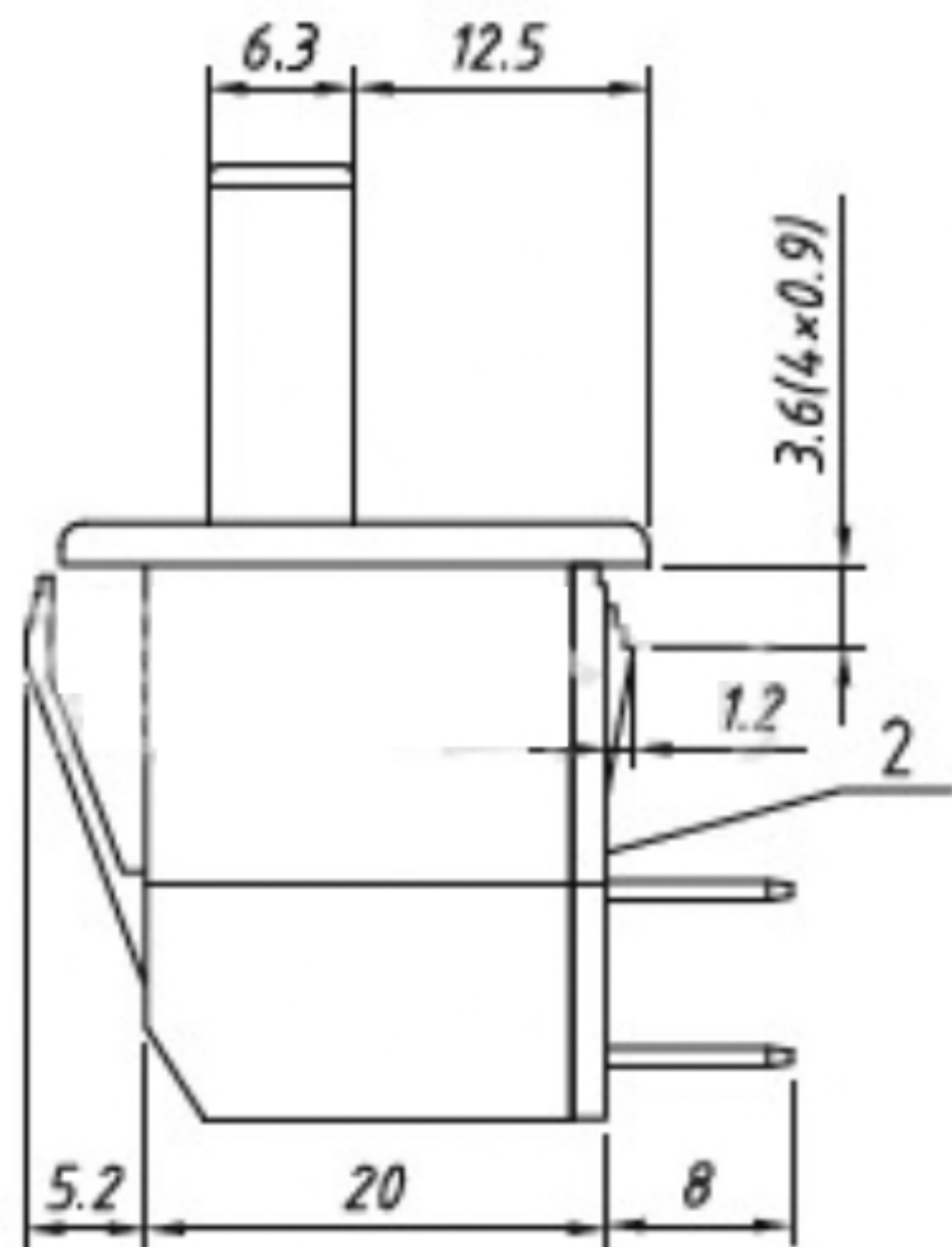
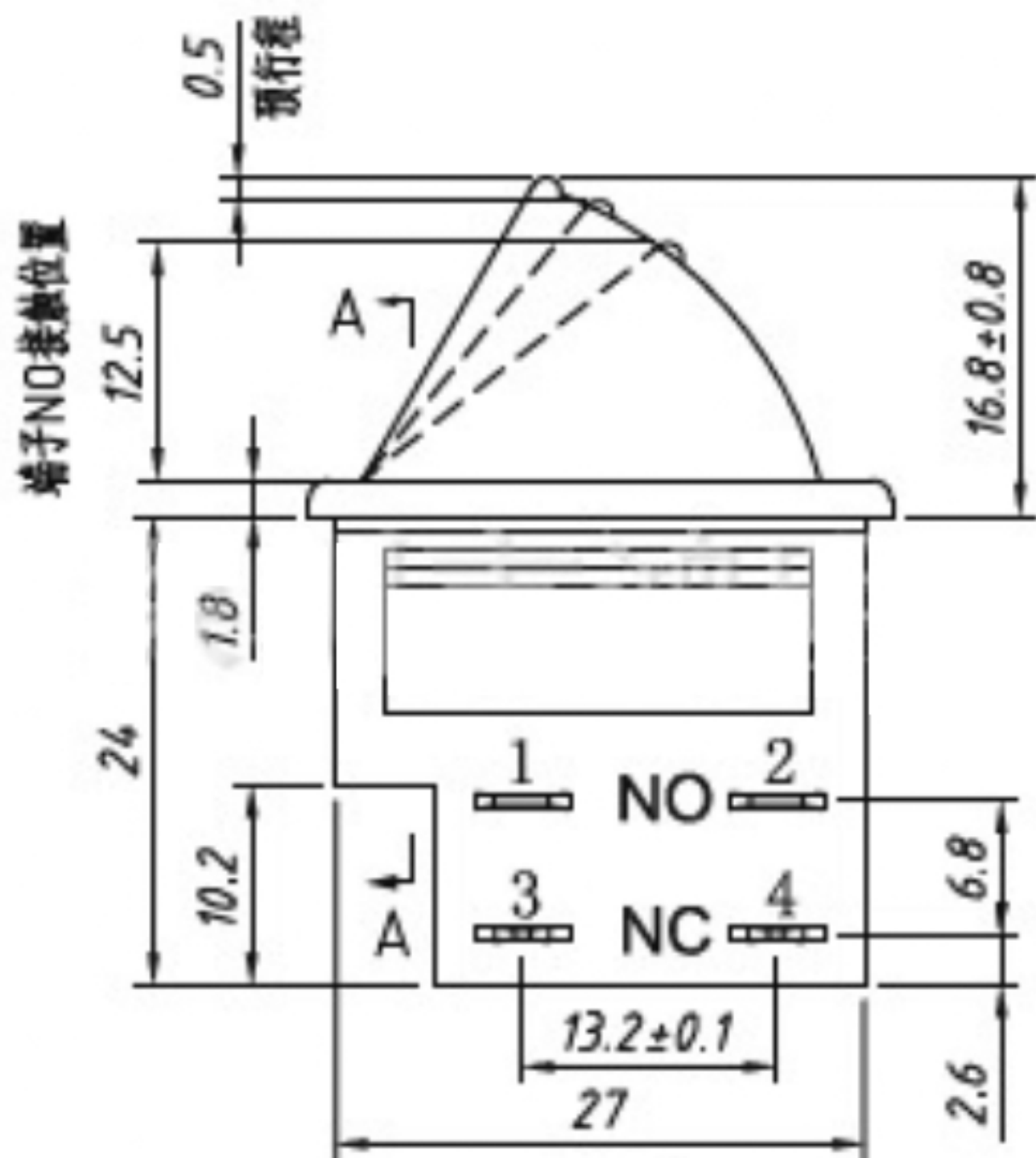
Installation Hole(t=2mm)



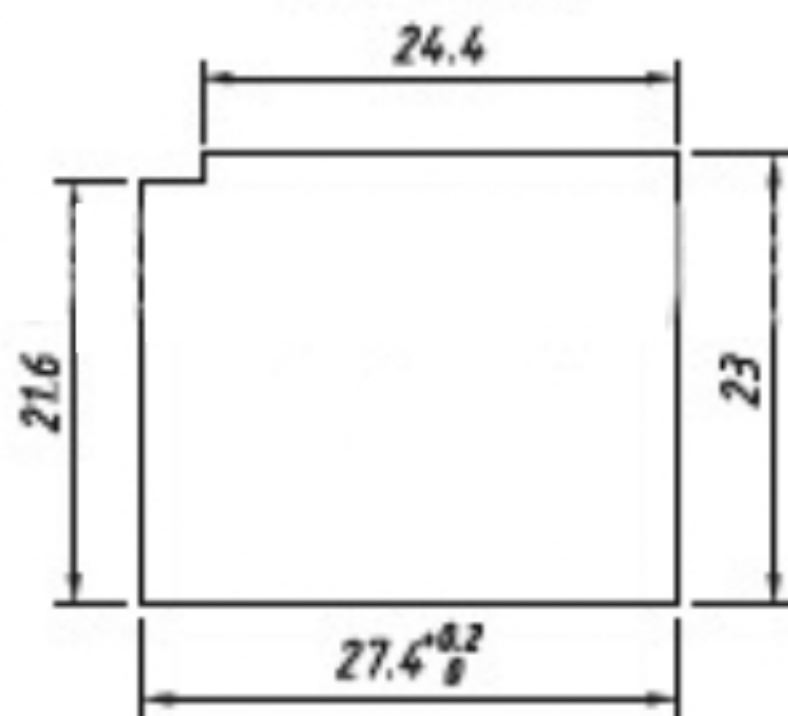
电路图

Circuit Diagram





安装孔尺寸



电路图

